



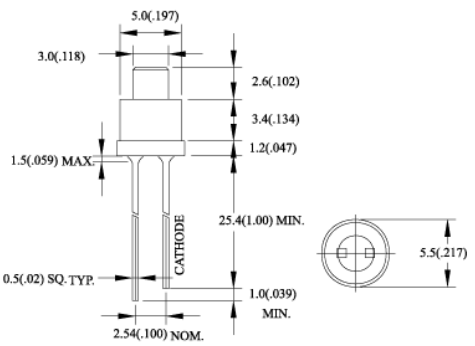
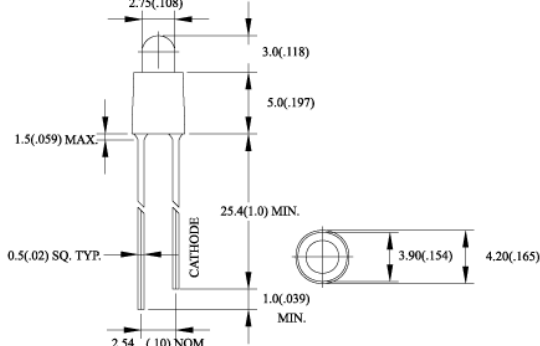
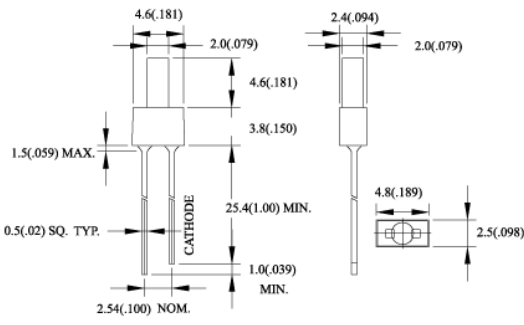
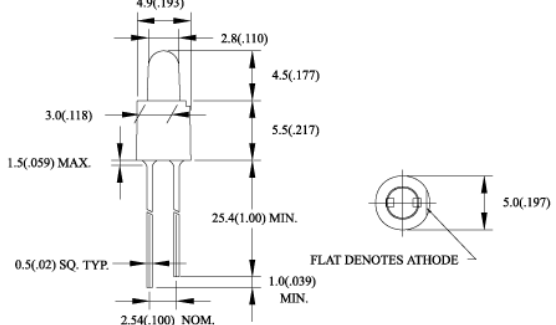
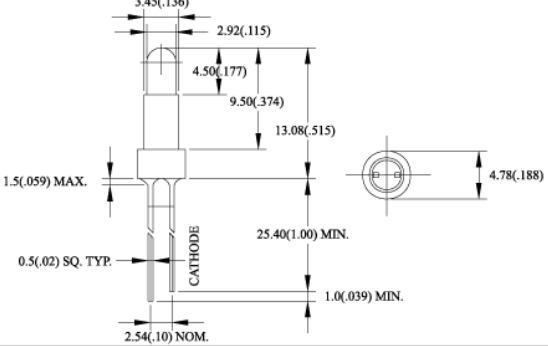
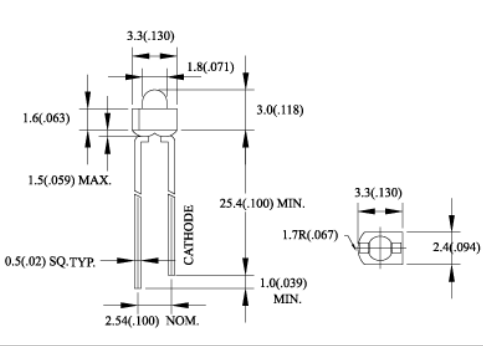
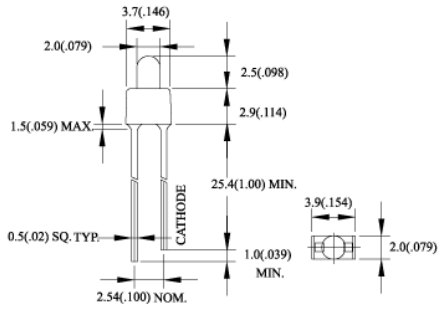
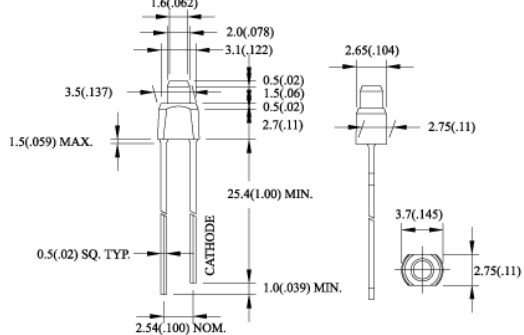
Package	Part No.	Chip		Lens Appearance	Absolute Maximum Ratings				Electro-optical Data(At 20mA)			Viewing Angle $2\theta_{1/2}$ (deg)	Drawing No.	
		Material/ Emitted Color	Peak Wave Length $\lambda_p$ (nm)		$\Delta\lambda$ (nm)	Pd (mw)	If (mA)	Peak (mA)	Vf (V)		Iv (mcd)			
									Typ	Max	Typ.			
1.0" Lead Tower $\phi 2.9$	BL-S1132	GaAsP/GaAs/ Red	655	Red Diffused	40	80	40	200	1.7	2.0	0.8	100	L-121	
	BL-S5132	GaP/GaP/ Bright Red	700		90	40	15	50	2.2	2.6	1.2			
	BL-S4532	GaAsP/GaP/ Hi-Eff Red	635		45	80	30	150	2.0	2.6	6.0			
	BL-S2132	GaP/GaP/ Green	568	Green Diffused	30	80	30	150	2.2	2.6	6.0			
	BL-SX1132	GaAsP/GaP/ Hi-Eff Green	568		30	80	30	150	2.2	2.6	9.0			
	BL-S3132	GaAsP/GaP/ Yellow	585		Yellow Diffused	35	80	30	150	2.1	2.6			5.0
BL-S4132	GaAsP/GaP/ Orange	635	Orange Diffused	45	80	30	150	2.0	2.6	6.0				
1.0" Lead Tower $\phi 2.75$	BL-S1133	GaAsP/GaAs/ Red	655	Red Diffused	40	80	40	200	1.7	2.0	1.0	100	L-122	
	BL-S5133	GaP/GaP/ Bright Red	700		90	40	15	50	2.2	2.6	1.4			
	BL-S4533	GaAsP/GaP/ Hi-Eff Red	635		45	80	30	150	2.0	2.6	6.0			
	BL-S2133	GaP/GaP/ Green	568	Green Diffused	30	80	30	150	2.2	2.6	6.0			
	BL-SX1133	GaAsP/GaP/ Hi-Eff Green	568		30	80	30	150	2.2	2.6	9.0			
	BL-S3133	GaAsP/GaP/ Yellow	585		Yellow Diffused	35	80	30	150	2.1	2.6			5.0
BL-S4133	GaAsP/GaP/ Orange	635	Orange Diffused	45	80	30	150	2.0	2.6	6.0				
1.0" Lead Tower $\phi 2.0$	BL-S1136	GaAsP/GaAs/ Red	655	Red Diffused	40	80	40	200	1.7	2.0	0.8	70	L-123	
	BL-S5136	GaP/GaP/ Bright Red	700		90	40	15	50	2.2	2.6	1.2			
	BL-S4536	GaAsP/GaP/ Hi-Eff Red	635		45	80	30	150	2.0	2.6	7.0			
	BL-S2136	GaP/GaP/ Green	568	Green Diffused	30	80	30	150	2.2	2.6	7.0			
	BL-SX1136	GaAsP/GaP/ Hi-Eff Green	568		30	80	30	150	2.2	2.6	10.0			
	BL-S3136	GaAsP/GaP/ Yellow	585		Yellow Diffused	35	80	30	150	2.1	2.6			6.0
BL-S4136	GaAsP/GaP/ Orange	635	Orange Diffused	45	80	30	150	2.0	2.6	7.0				
1.0" Lead Tower $\phi 3.0$	BL-S1137	GaAsP/GaAs/ Red	655	Red Diffused	40	80	40	200	1.7	2.0	2.5	100	L-124	
	BL-S5137	GaP/GaP/ Bright Red	700		90	40	15	50	2.2	2.6	15			
	BL-S4537	GaAsP/GaP/ Hi-Eff Red	635		45	80	30	150	2.0	2.6	22			
	BL-S2137	GaP/GaP/ Green	568	Green Diffused	30	80	30	150	2.2	2.6	22			
	BL-SX1137	GaAsP/GaP/ Hi-Eff Green	568		30	80	30	150	2.2	2.6	25			
	BL-S3137	GaAsP/GaP/ Yellow	585		Yellow Diffused	35	80	30	150	2.1	2.6			21
BL-S4137	GaAsP/GaP/ Orange	635	Orange Diffused	45	80	30	150	2.0	2.6	22				
1.0" Lead Tower $\phi 3.0$	BL-S1137A	GaAsP/GaAs/ Red	655	Red Diffused	40	80	40	200	1.7	2.0	2.5	70	L-125	
	BL-S5137A	GaP/GaP/ Bright Red	700		90	40	15	50	2.2	2.6	15			
	BL-S4537A	GaAsP/GaP/ Hi-Eff Red	635		45	80	30	150	2.0	2.6	22			
	BL-S2137A	GaP/GaP/ Green	568	Green Diffused	30	80	30	150	2.2	2.6	22			
	BL-SX1137A	GaAsP/GaP/ Hi-Eff Green	568		30	80	30	150	2.2	2.6	25			
	BL-S3137A	GaAsP/GaP/ Yellow	585		Yellow Diffused	35	80	30	150	2.1	2.6			21
BL-S4137A	GaAsP/GaP/ Orange	635	Orange Diffused	45	80	30	150	2.0	2.6	22				
1.0" Lead Tower $\phi 1.8$	BL-S1148	GaAsP/GaAs/ Red	655	Red Diffused	40	80	40	200	1.7	2.0	0.6	70	L-126	
	BL-S5148	GaP/GaP/ Bright Red	700		90	40	15	50	2.2	2.6	1.0			
	BL-S4548	GaAsP/GaP/ Hi-Eff Red	635		45	80	30	150	2.0	2.6	5.0			
	BL-S2148	GaP/GaP/ Green	568	Green Diffused	30	80	30	150	2.2	2.6	5.0			
	BL-SX1148	GaAsP/GaP/ Hi-Eff Green	568		30	80	30	150	2.2	2.6	8.0			
	BL-S3148	GaAsP/GaP/ Yellow	585		Yellow Diffused	35	80	30	150	2.1	2.6			4.0
BL-S4148	GaAsP/GaP/ Orange	635	Orange Diffused	45	80	30	150	2.0	2.6	5.0				
1.0" Lead Tower $\phi 2.0$	BL-S1149	GaAsP/GaAs/ Red	655	Red Diffused	40	80	40	200	1.7	2.0	0.6	100	L-127	
	BL-S5149	GaP/GaP/ Bright Red	700		90	40	15	50	2.2	2.6	1.0			
	BL-S4549	GaAsP/GaP/ Hi-Eff Red	635		45	80	30	150	2.0	2.6	8.0			
	BL-S2149	GaP/GaP/ Green	568	Green Diffused	30	80	30	150	2.2	2.6	8.0			
	BL-S31149	GaAsP/GaP/ Yellow	585		Yellow Diffused	30	80	30	150	2.2	2.6			7.0
	BL-S4149	GaAsP/GaP/ Orange	635		Orange Diffused	35	80	30	150	2.1	2.6			8.0
1.0" Lead Tower $\phi 2.0$	BL-S1149A	GaAsP/GaAs/ Red	655	Red Diffused	40	80	40	200	1.7	2.0	0.6	120	L-128	
	BL-S5149A	GaP/GaP/ Bright Red	700		90	40	15	50	2.2	2.6	1.0			
	BL-S4549A	GaAsP/GaP/ Hi-Eff Red	635		45	80	30	150	2.0	2.6	8.0			
	BL-S2149A	GaP/GaP/ Green	568	Green Diffused	30	80	30	150	2.2	2.6	8.0			
	BL-S31149A	GaAsP/GaP/ Yellow	585		Yellow Diffused	35	80	30	150	2.1	2.6			7.0

Remark : 1.Hi-Eff Red / High-Efficiency Red.

2.Trans / Transparent.

3.2  $\theta_{1/2}$  The off-axis angle at which the luminous intensity is half the axial luminous intensity.



L-121 BL-Sxx32 Series	L-122 BL-Sxx33 Series
	
L-123 BL-Sxx36 Series	L-124 BL-Sxx37 Series
	
L-125 BL-Sxx37A Series	L-126 BL-Sxx48 Series
	
L-127 BL-Sxx49 Series	L-128 BL-Sxx49A Series
	

Notes : 1.All Dimensions are in millimeters (inches).  
 2.Tolerance is  $\pm 0.25\text{mm}$  (.010").