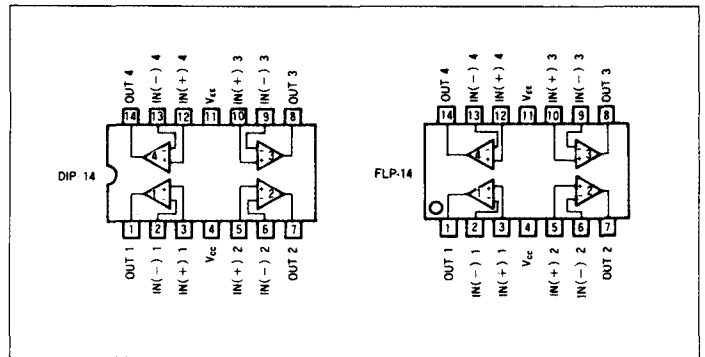


Op Amps, Comparators, Transistor Arrays

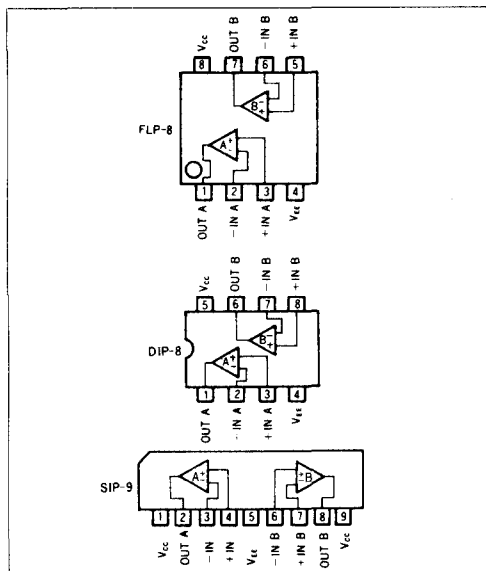
Op Amps

Classification	Type No.	Package	Remarks
Dual op amps	TA75458P	DIP-8	General purpose, NPN input
	TA75458S	SIP-9	
	TA75458F	FLP-8	
	TA75358CP	DIP-8	General purpose, PNP input
	TA75358CF	FLP-8	
	TA75557P	DIP-8	Low noise, high output current
	TA75557S	SIP-9	
	TA75557F	FLP-8	
	TA75558P	DIP-8	Low noise
	TA75558S	SIP-9	
TA75558F	FLP-8		
Quad op amps	TA75559P	DIP-8	Low noise, wide band
	TA75559S	SIP-9	
	TA75559F	FLP-8	
	TA75902P	DIP-14	
TA75902F	FLP-14		

Quad Op Amp Pin Connections



Dual Op Amp Pin Connections



Transistor Arrays

		I_Q (A)	LOW LEVEL INPUT ACTIVE		HIGH LEVEL INPUT ACTIVE			
			INPUT	INPUT	INPUT	INPUT		
OUTPUT (SINK)	LOW SAT	0.1		TD62382AP	TD62551S TD62555S	TD62501P TD62507P TD62301P TD62302P TD62306P TD62307P	TD62583AP	
		0.5		TD62383P		TD62303P TD62309P	TD62381P	
		1.0	* TD62400AP					
OUTPUT (SOURCE)	DARLINGTON	0.1				TD62006P TD62007P	TD62081AP	
		0.5	TD62304P TD62305P	TD62384AP TD62385AP		TD62001P TD62004P TD62008AP TD62101P TD62105P	TD62084AP	
		1.0	TD62308AP/BP		TD62064P/AP/BP TD62074P/AP TD62107P/BP			
OUTPUT (SOURCE)	LOW SAT	0.1		TD62703P		TD62705P TD62706P		
		0.5		TD62785P				
		1.0						
OUTPUT (SOURCE)	DARLINGTON	0.1					TD62781AP TD62782AP	
		0.5		TD62786AP TD62787AP			TD62783AP TD62784AP	
		1.0						
			4	5-7	8	4	5-7	8
			Channel			Channel		

*: Under development
 TD62XXXP Series T_{op} -30 ~ 75°C $V_{CE(SUB)}$ ~ 35V
 TD62XXXAP Series -40 ~ 85°C ~ 50V
 TD62XXXBP Series -40 ~ 85°C ~ 80V