

NOTES:

1. MATERIALS AND FINISHES:

BODY & HOUSING - BRASS, GOLD PLATING  
 CONTACT - PHOSPHOR BRONZE, GOLD PLATING  
 LOCK WASHER & HEX NUT - BRASS, NICKEL PLATING  
 INSULATOR - PTFE, NATURAL

2. ELECTRICAL:

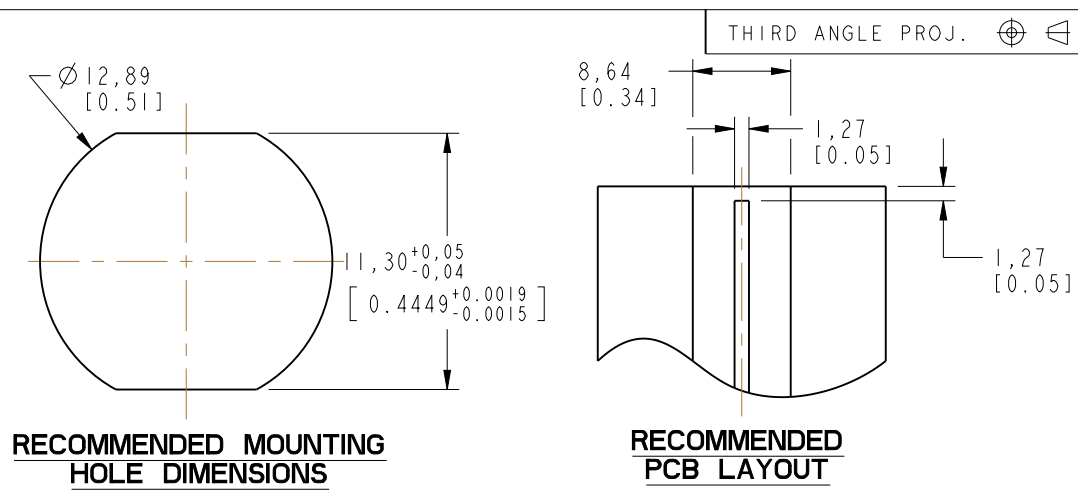
A. IMPEDANCE: 75 OHM  
 B. FREQUENCY RANGE: DC-6.0 GHz  
 C. D.W.V.: 1500 VRMS, MIN.

3. MECHANICAL:

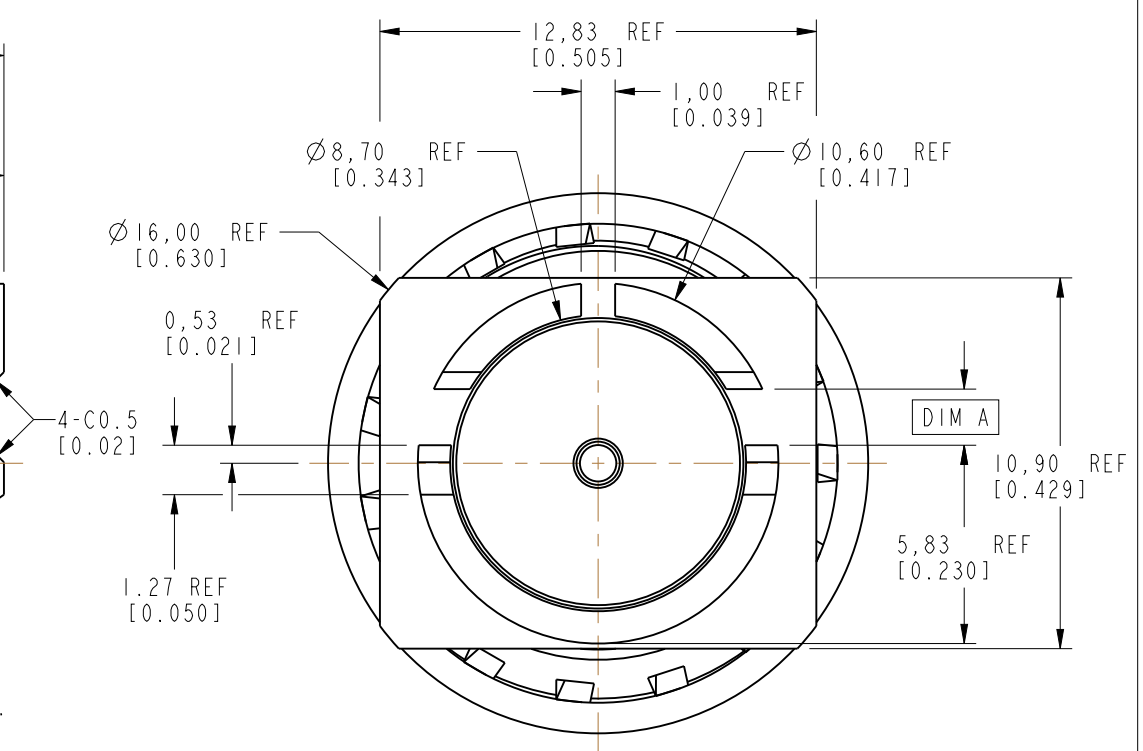
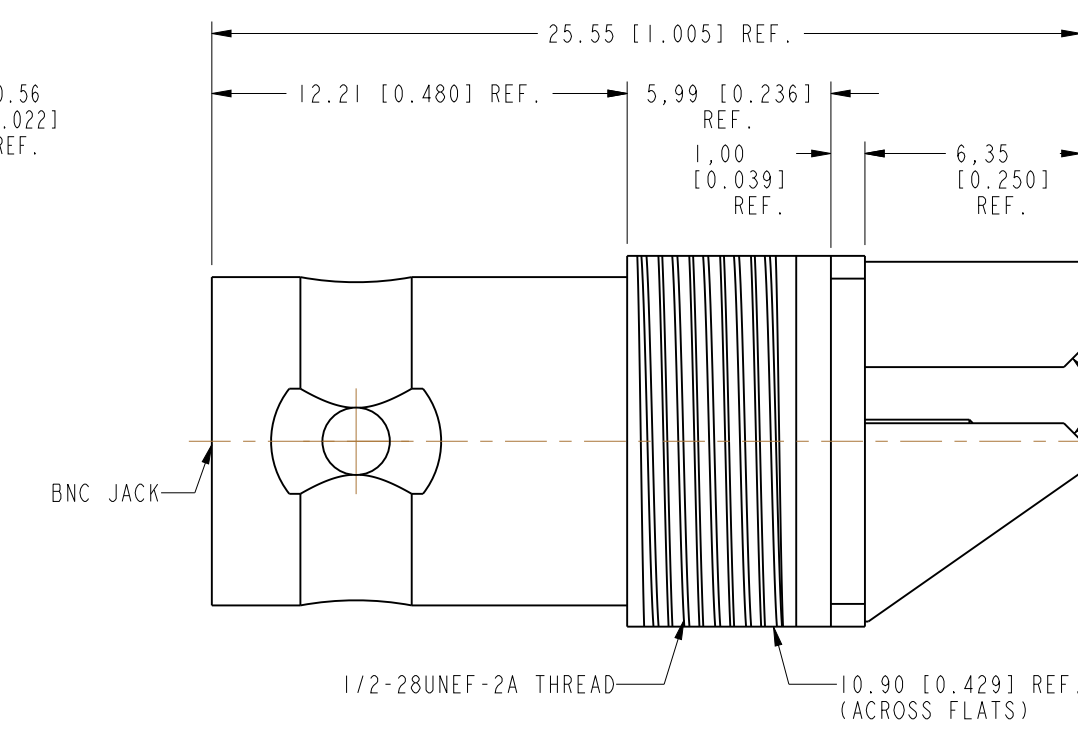
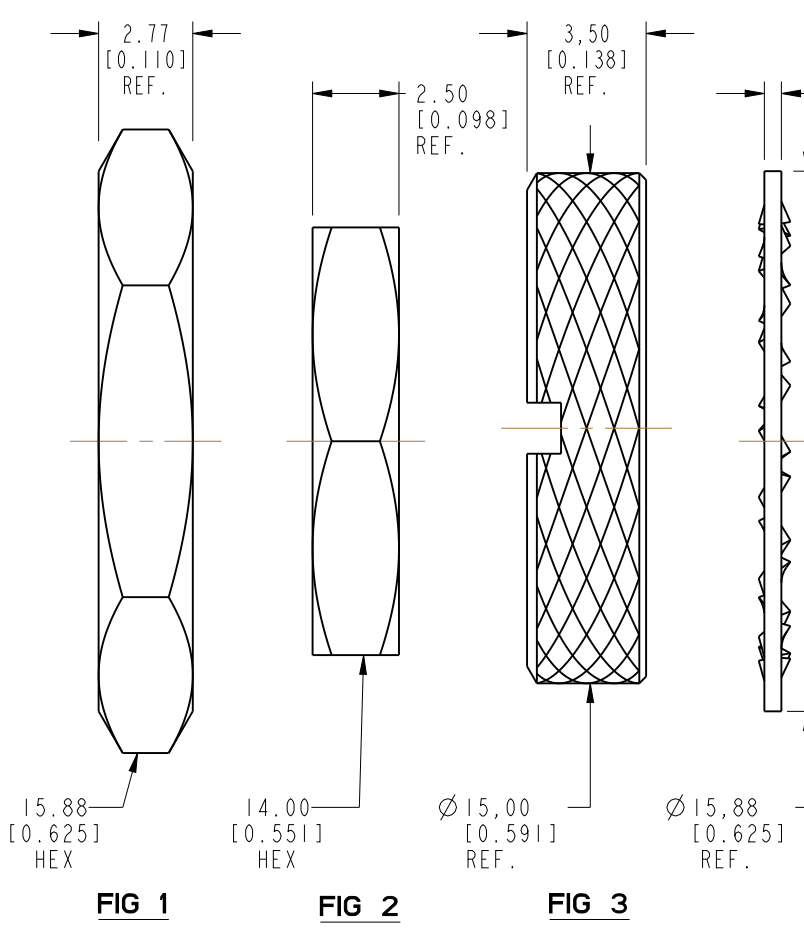
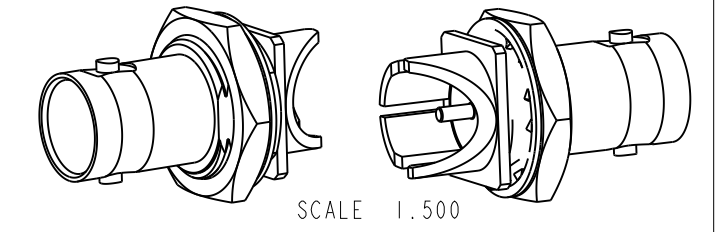
A. DURABILITY: 500 CYCLES MIN.  
 B. TEMPERATURE RANGE: -65° C TO +165° C

4. MAX. PANEL THICKNESS: 1.50mm [0.059"]

5. BNC RECEPTACLE SHIPS WITH ONLY ONE KIND OF THREADED NUT, SEE TABLE FOR DETAIL.



REVISIONS				
REV	DESCRIPTION	DATE	ECO	APPR
A	RELEASE TO MFG	13-Oct-09	--	--
B	ADDED PN: 112740-12 THROUGH 112740-17 & BOARD THICKNESS OPTIONS	22-Jan-10	--	--
C	THREAD LENGTH & MAX.PANEL THICKNESS DIM.UPDATED	04-Feb-10	--	--
D	REDRAWN IN PRO-E, NOTES UPDATED & PURCHASE SHEET ADDED	2/4/16	50654	NR
E	ADDED C0.5 CHAMFER TO FOUR EDGES	3/9/16	50997	JN



6	112740-17	2.13 [0.084]	2.21 <sup>+0.08</sup> <sub>-0</sub> [0.087 <sup>+0.003</sup> <sub>-0</sub> ]	FIG 3
5	112740-16	2.13 [0.084]	2.21 <sup>+0.08</sup> <sub>-0</sub> [0.087 <sup>+0.003</sup> <sub>-0</sub> ]	FIG 2
4	112740-15	2.13 [0.084]	2.21 <sup>+0.08</sup> <sub>-0</sub> [0.087 <sup>+0.003</sup> <sub>-0</sub> ]	FIG 1
3	112740-14	1.57 [0.062]	1.75±0.05 [0.069±0.002]	FIG 3
2	112740-13	1.57 [0.062]	1.75±0.05 [0.069±0.002]	FIG 2
1	112740-12	1.57 [0.062]	1.75±0.05 [0.069±0.002]	FIG 1
S.NO.	PART NUMBER	RECOMMENDED PCB THICKNESS	DIM A	INCLUDED NUT

**CUSTOMER OUTLINE DRAWING**  
 ALL OTHER SHEETS ARE FOR INTERNAL USE ONLY

UNLESS OTHERWISE SPECIFIED, DIMENSIONS ARE IN METRIC AND TOLERANCES ARE:  
 <0.5mm ±0.05mm    0.5 - 6mm ±0.1mm    6 - 30mm ±0.2mm    30 - 120mm ±0.3mm    ANGLES ±1°

NOTICE - These drawings, specifications, or other data (1) are, and remain the property of Amphenol corp. (2) must be returned upon request; and (3) are confidential and not to be disclosed to any person other than those to whom they are given by Amphenol Corp. the furnishing of these drawings, specifications, or other data by Amphenol Corp., or to any other person to anyone for any purpose is not to be regarded by implication or otherwise in any manner licensing, granting rights to permitting such holder or any other person to manufacture, use or sell any product, process or design, patented or otherwise, that may in any way be related to or disclosed by said drawings, specifications, or other data.

MATERIAL SEE NOTES	DRAWN J. NERI	DATE 27-Jan-16	TITLE 75 OHM BNC STR BHD JACK END LAUNCH RECEPTACLE	Amphenol RF www.amphenolrf.com
REFERENCE EAR # 6479	ENGINEER K.CAPOZZI	DATE 21-Jul-15	SCALE: 4.5:1.0	DRAWING NO. 112740-XX
CONFIGURATION LEVEL: In Work	APPROVED	DATE	SHEET 2 OF 2	ITEM NO. 112740-XX
FINISH	CAD FILE		DWG SIZE B	REV E
				PART NO. 112740-XX