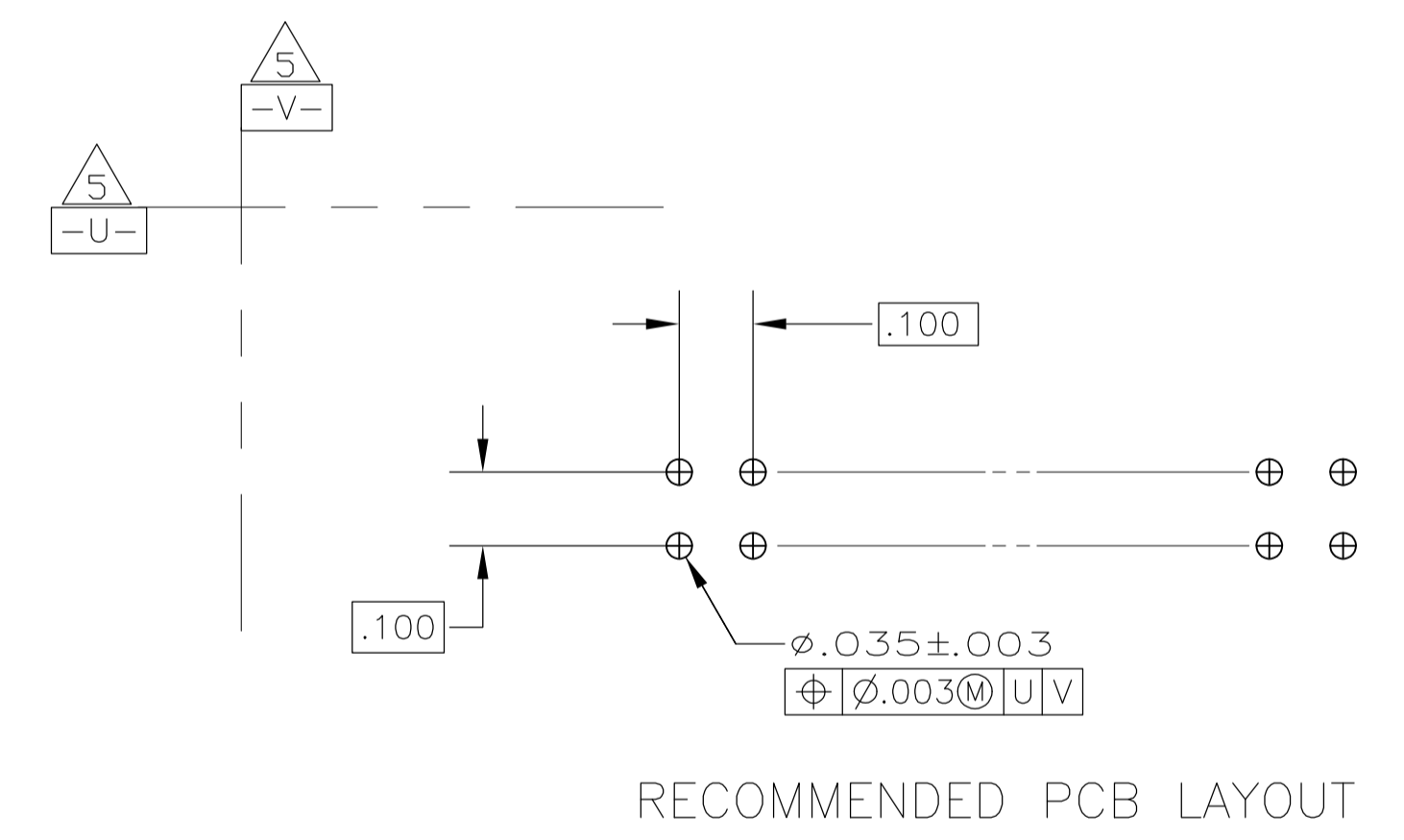
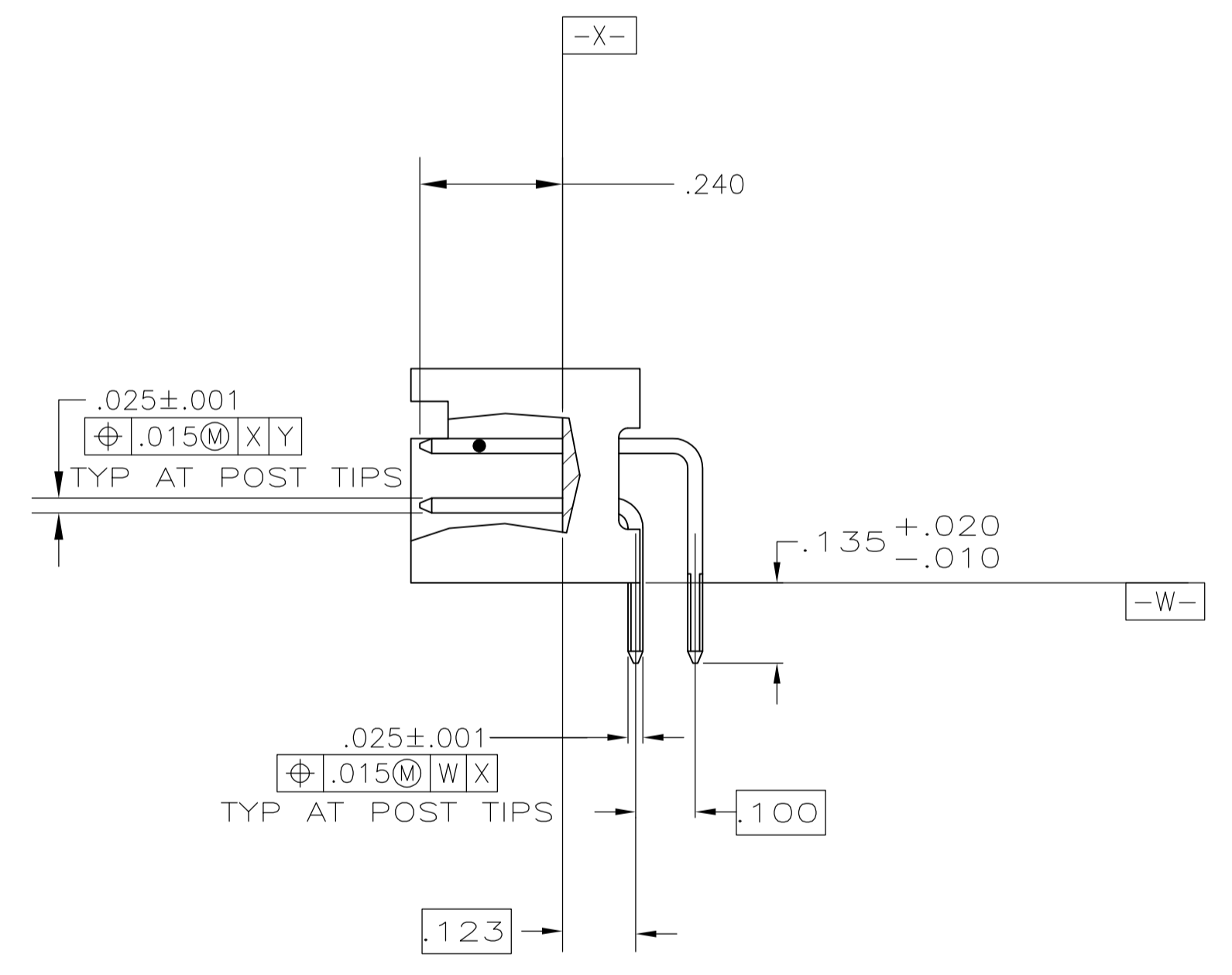
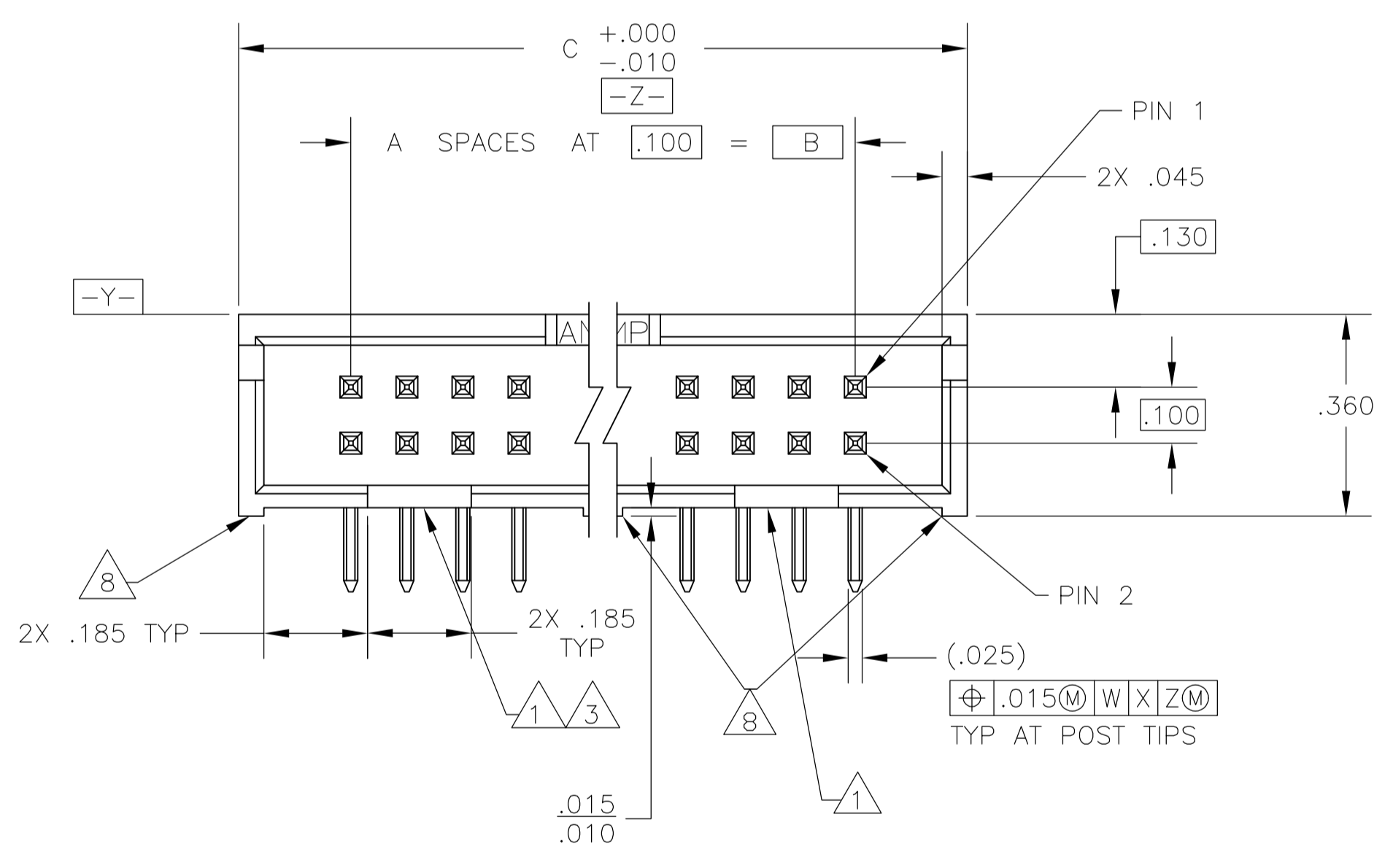
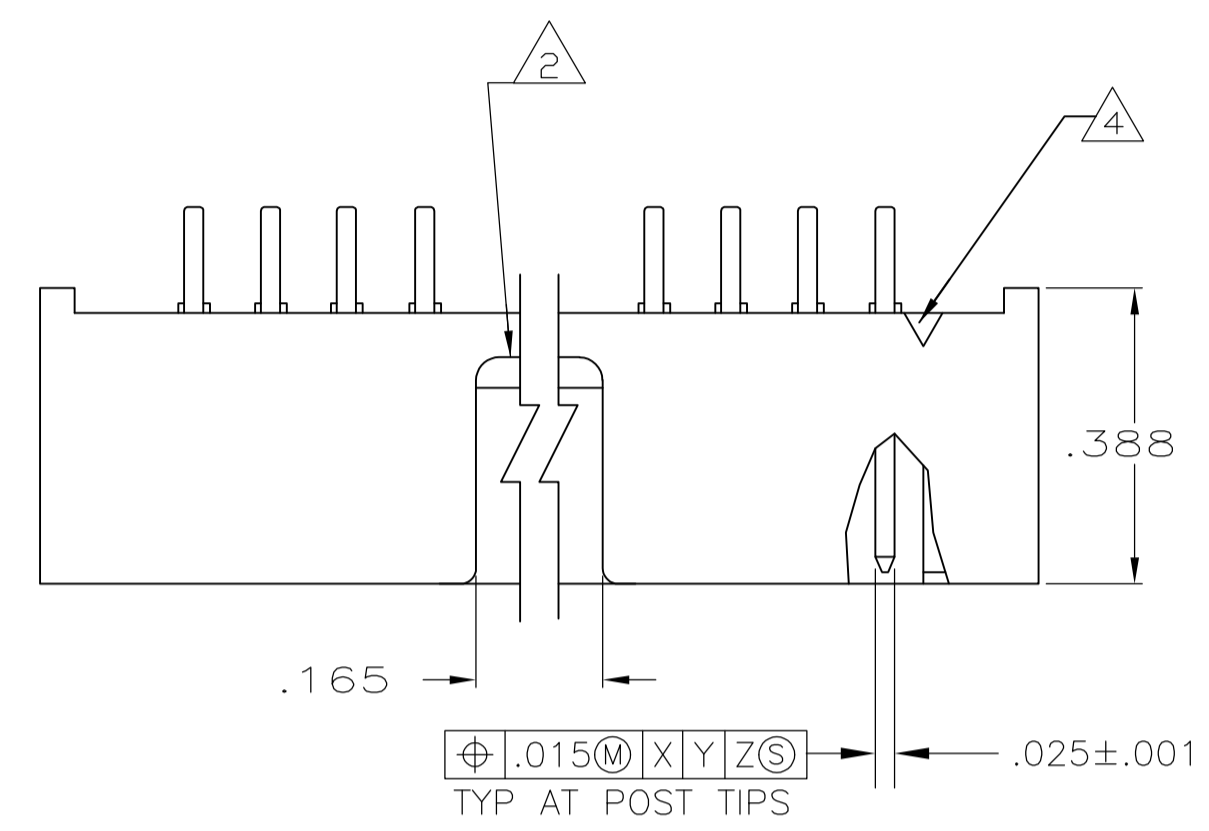


- 1 DOUBLE BAR POLARIZATION SLOTS.
- 2 CENTER POLARIZATION SLOT.
- 3 FOR 10 POSN ASSEMBLY, SLOT OMITTED IN THIS LOCATION.
- 4 NUMBER 1 POSITION INDICATOR.
- 5 DATUMS -U- AND -V- TO BE ESTABLISHED BY CUSTOMER.
- 6 HOUSING: GLASS FILLED NYLON OR PBT, BLACK, UL 94V-0 RATED. POSTS: BRASS.
- 7 POSTS: GOLD FLASH OVER PALLADIUM-NICKEL PLATE, .000015 MIN TOTAL ON THE MATING SURFACES, .000100 MIN TIN PLATE ON THE SOLDER-TAILS, .000050 MIN NICKEL UNDERPLATE ON THE ENTIRE POST. -OR- .000015 MIN GOLD PLATE ON THE MATING SURFACES, .000100 MIN TIN PLATE ON THE SOLDER-TAILS, .000050 MIN NICKEL UNDERPLATE ON THE ENTIRE POST.
- 8 STANDOFFS: ALL POSITION SIZES-2 LOCATED AT ENDS OF HOUSING. 20 THRU 34 POSITION SIZES-1 ADDITIONAL STANDOFF CENTERED ON HOUSING. 40 THRU 50 POSITION SIZES- 2 ADDITIONAL STANDOFFS EVENLY SPACED WITHIN REMAINING LENGTH OF HOUSING.



2.800	2.400	24	50	1-5103310-0
2.300	1.900	19	40	5103310-8
2.000	1.600	16	34	5103310-7
1.600	1.200	12	26	5103310-6
1.300	.900	9	20	5103310-5
1.100	.700	7	16	5103310-3
1.000	.600	6	14	5103310-2
.800	.400	4	10	5103310-1
C	B	A	NO OF POSN	PART NUMBER

THIS DRAWING IS A CONTROLLED DOCUMENT

DIMENSIONS: INCHES	TOLERANCES UNLESS OTHERWISE SPECIFIED:	0 PLC ± -	1 PLC ± -	2 PLC ± -	3 PLC ± .005	4 PLC ± -	ANGLES ± -
MATERIAL		FINISH		WEIGHT		SCALE	
6		7		A1		4:1	

APPROVED: M. WALMSLEY, DATE: 02 NOV 05

DESIGNED: S. BOLASH, DATE: 02 NOV 05

DRAWN: B. LATTUCA, DATE: 02 NOV 05

NAME: M. WALMSLEY

PRODUCT SPEC: 108-40018

APPLICATION SPEC: 108-40018

SIZE: A1

CAGE CODE: 00779

DRAWING NO: 5103310

RESTRICTED TO: CUSTOMER DRAWING

SCALE: 4:1

SHEET: 1 OF 1

REV: E

STE TE Connectivity

HEADER ASSY, RIGHT ANGLE, LOW PROFILE, AMP-LATCH