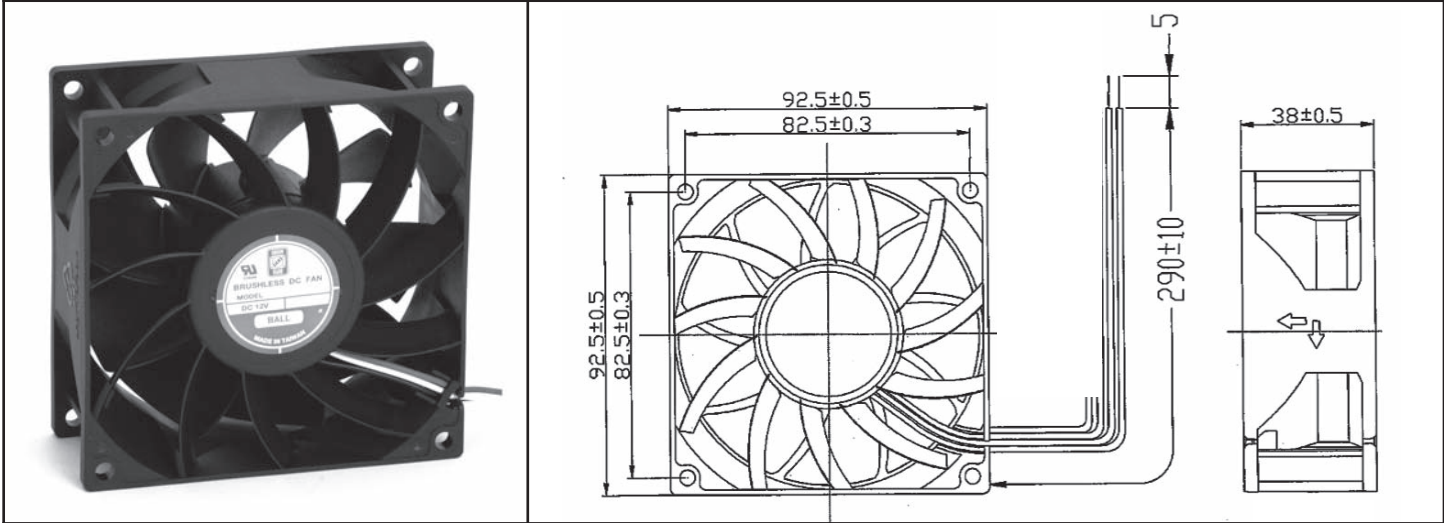


# OD9238 'VA' Series' Vane Axial High Pressure



DC Fan - 12V, 24V and 48V  
92x38mm (3.62" x 1.5")



Frame & Impeller	PBT, UL94V-O plastic	<b>Available Options:</b> Tachometer (FG) Alarm PWM  Super High Speed (150CFM)  IP55	
Connection	2x Lead wires, 290mm, UL1007, AWG 24		
Motor	Brushless DC, auto restart, polarity protected.		
Bearing System	Dual ball bearing		
Insulation Resistance	Min. 10M at 500VDC		
Dielectric Strength	1 minute at 500VAC / 1 second, max leakage 500 microamp		
Temperature Range	-10C ~ +70C		
Storage Temperature	-40C ~ +80C		
Life Expectancy (L10)	50,000 hours (40C)	m1	

Model Number	Speed (RPM)	Airflow (CFM)	Noise (dB)	Volts DC	Input Power (Watts)	Amps	Max. Static Pressure ("H2O)
OD9238-12HBVXC	5400	135	58	12	16	1.3	0.74
OD9238-12MBVXC	4800	118	55	12	11	0.9	0.59
OD9238-12LBVXC	4400	108	52	12	9	0.7	0.50
OD9238-24HBVXC	5400	135	58	24	16	0.7	0.74
OD9238-24MBVXC	4800	118	55	24	11	0.5	0.59
OD9238-24LBVXC	4400	108	52	24	8	0.3	0.50
OD9238-48HBVXC	5400	135	58	48	17	0.4	0.74
OD9238-48MBVXC	4800	118	55	48	12	0.3	0.59
OD9238-48LBVXC	4400	108	52	48	9	0.2	0.50