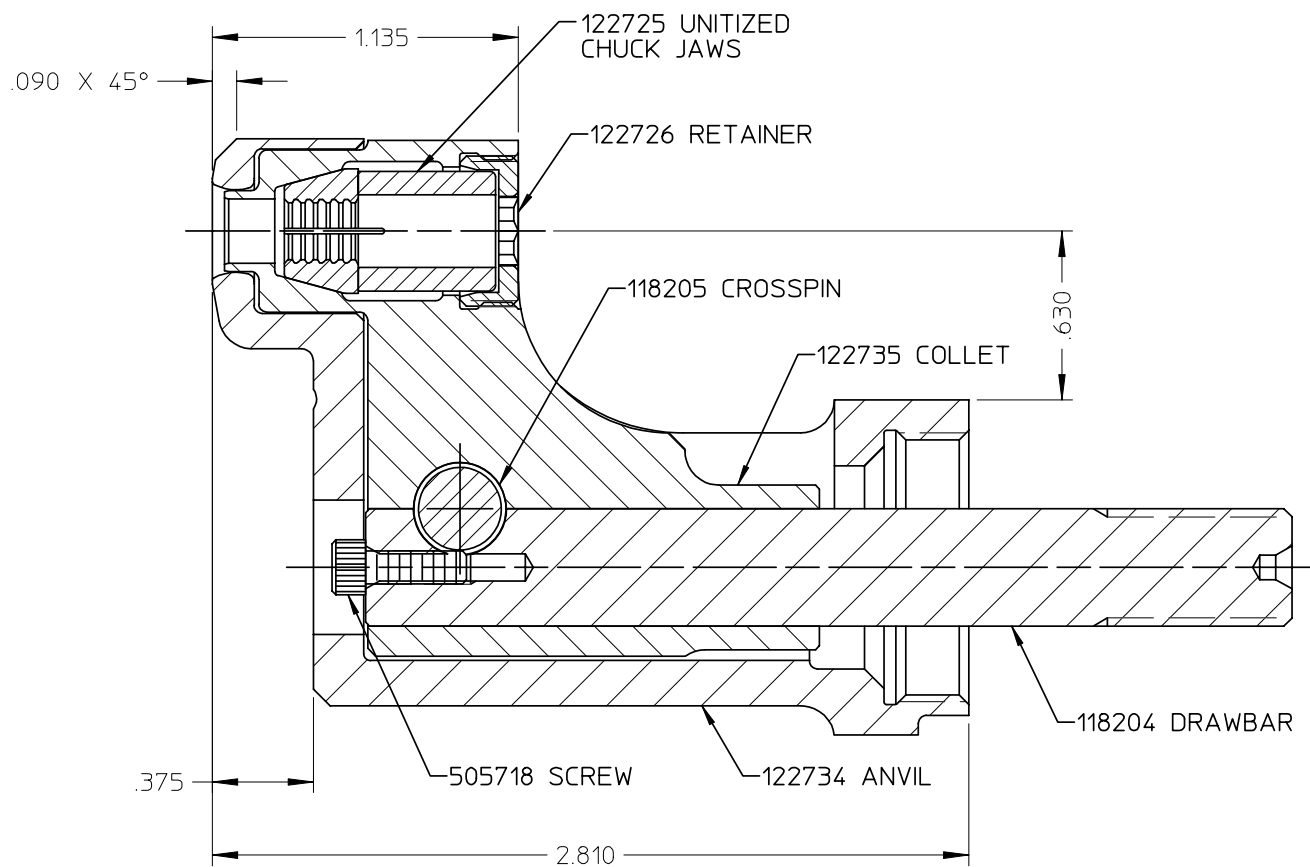
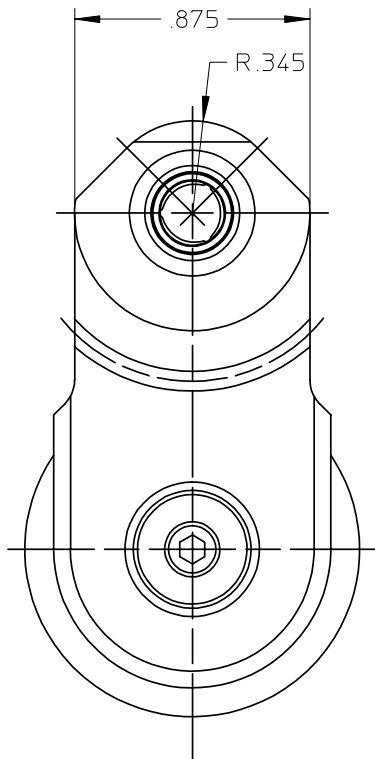


# DATA SHEET



**NOTES:**

- 1 MAXIMUM RECOMMENDED STROKE: .500.
- 2 FOR USE WITH 245 TOOL USE ATTACHMENT P/N 119400 AND STROKE LIMITER P/N 118362.
- 3 FOR USE THE 2500 TOOL, USE ATTACMENT P/N 119400 AND STROKE LIMITER KIT P/N 119888.
- 4 FOR OTHER TOOLS AND/OR OTHER TOOL AND STROKE COMBINATIONS, CONSULT ENGINEERING DEPARTMENT.
- 5 OPTIONAL DEFLECTOR KIT P/N 122728 CONSISTING OF:  
DEFLECTOR P/N 120095  
BARBED RETAINER P/N 122727  
AVAILABLE FOR THIS NOSE.

**Alcoa Fastening Systems**

Commercial Products  
1 Corporate Drive, Kingston, NY 12401

TYPE:	NON-SELF-RELEASING	
FASTENER:	6MM MLGP	
TOOL(S):	206-375	
Notes: OBSOLETE SUPERSEDED BY: 99-3745	Product Revision:	<b>B</b>
US Patent:	Date:	06/26/03

99-1745

Part Number