

Solderless Stackup Banana Plug

Wire firmly held in place with internal setscrew, eliminating soldering. Assembly of test leads simplified. **Upper:** Banana jack — 4.22 mm (0.166) dia., brass. **Lower:** Banana plug, spring — One piece heat treated beryllium copper. Fits standard 4.22 mm (0.166) dia. banana jack. **Rating:** 5000 WVDC, 15 amps, +50°C (+122°F) max. +150°C (+302°F).

885-0301, 1325-0, Black	PER PKG./10	12.50
885-0302, 1325-2, Red	PER PKG./10	12.50
885-1327, 1325-4, Yellow	PER PKG./10	12.50
885-0305, 1325-5, Green	PER PKG./10	12.50

Solderless Stackup Standard Banana Plug with Safety Collar

Features integral safety collar that insulates exposed wire leads. Wire firmly held in place with internal setscrew, eliminates soldering, simplifies assembly of test leads. **Upper:** Banana jack — 4.22 mm (0.166) dia., brass. **Lower:** Banana plug, spring — One piece heat treated beryllium copper. Fits standard 4.22 mm (0.166) dia. banana jack. **Rating:** 5000 WVDC, 15 amps, +50°C (+122°F) max.

885-0460, 1825-0, Black	PER PKG./10	12.50
885-0462, 1825-2, Red	PER PKG./10	12.50
885-1827, 1825-3, Orange	PER PKG./10	12.50
885-0464, 1825-4, Yellow	PER PKG./10	12.50
885-0465, 1825-5, Green	PER PKG./10	12.63
885-1830, 1825-6, Blue	PER PKG./10	12.50
885-0469, 1825-9, White	PER PKG./10	12.50

Banana Plugs

Material: Banana plug body — Brass; Spring — One piece heat treated beryllium copper. Fits standard 4.22 mm (0.166) dia. banana jack. **Finish:** Nickel plated. **Rating:** 5000 WVDC, 15 amps.

Banana Plug with Threaded Stud — Fig. A
Furnished with hex nut and tin plated solder lug.
885-3263, 3263, 6.32 x 12.7 (0.50) Thread PER PKG./10 13.50

Banana Plug with Screw — Fig. B
Mounts to various size panels. Furnished with screw and tin plated solder lug.
885-3265, 3265, 6.32 x 6.4 (0.25) Screw PER PKG./10 16.00
885-3266, 3266, 8.32 x 6.4 (0.25) Screw PER PKG./10 16.00

Standard Banana Plugs

Standard Double Banana Plug
Setscrews secure leads. Simplifies cable construction or component mounting. Double banana jack — 4.22 mm (0.166) dia., brass. Double banana plug, spring — One piece heat treated beryllium copper. Fits standard 4.22 mm (0.166) dia. banana jack. **Rating:** 5000 WVDC, 15 amps, +50°C (+122°F) max.

885-0100, MDP-0, Black	EACH	2.15
885-0101, MDP-2, Red	EACH	2.15

Triple Banana Plug
885-2970, 2970-0, Black EACH 4.30
885-2971, 2970-2, Red EACH 4.30

Double Banana Plugs

Double banana jack — 4.22 mm (0.166) dia., brass, nickel-plated. Double banana plug, spring — One piece heat treated beryllium copper, nickel plated. Fits standard 4.22 mm (0.166) dia. banana jack.

Double Banana Plug with Solder Turret Terminals — Fig. C
MDP-ST standard double banana plug with solder turrets. **Rating:** 5000 WVDC, 15 amps, +55°C. Similar to Model MDP, except has bright tin plated solder turret terminals for permanent noise-free connections of cables and components. Black Polypropylene insulation.
885-0021, MDP-ST EACH 3.00

Component Mounting Double Banana Plug — Fig. D
Setscrews secure leads. Features recess for mounting small components. ABS Insulation.
885-1330, 1330-0, Black EACH 2.35
885-1331, 1330-2, Red EACH 2.35

Double Banana Plug with Shorting Bar — Fig. E
Banana plug internally shorted with #18 AWG wire. Banana jacks provide top stackup. Cross holes 4.22 mm (0.166) dia. in body provide side stackup connections. ABS Insulation.
885-0110, MDP-S-0, Black EACH 3.50
885-0023, MDP-S-2, Red EACH 3.50
885-0024, MDP-S-9, White EACH 3.50

Banana Jacks

Safety Shrouded Banana Jack — NEW
Accepts shrouded banana plugs used in multimeters. Mounts in 1/2" diameter hole with included hex nut and washer. ST designates solder turret. Other terminals are available. T designates tin plating. Nickel and gold also available. **Insulation:** Nylon. **Rating:** 1000 V, 15 A.

885-6020, 6387-ST-T-0, Black	PER PKG./10	15.00
885-6021, 6387-ST-T-1, Brown	PER PKG./10	15.00
885-6019, 6387-ST-T-2, Red	PER PKG./10	15.00
885-6030, 6387-ST-T-3, Yellow	PER PKG./10	15.00
885-6031, 6387-ST-T-4, Orange	PER PKG./10	15.00
885-6032, 6387-ST-T-5, Green	PER PKG./10	15.00
885-6034, 6387-ST-T-6, Blue	PER PKG./10	15.00
885-6037, 6387-ST-T-7, Violet	PER PKG./10	15.00
885-6039, 6387-ST-T-8, Gray	PER PKG./10	15.00
885-6042, 6387-ST-T-9, White	PER PKG./10	15.00

Panel Mount, Brass Banana Jacks
Mounts in panels from 1.60 mm (0.063) to 9.53 mm (0.375) thick. Nickel plated lockwasher and 1/4-32 hex nut. **Material:** Brass. **Rating:** 2500 WVDC, 15 amps, +115°C (+239°F) max.

Bright Tin Plated Brass

885-0400, 1581-0, Black	PER PKG./10	9.00
885-0401, 1581-2, Red	PER PKG./10	9.00
885-1583, 1581-4, Yellow	PER PKG./10	9.00
885-1584, 1581-5, Green	PER PKG./10	9.00
885-1585, 1581-6, Blue	PER PKG./10	9.00
885-1586, 1581-9, White	PER PKG./10	9.00

Gold Plated Brass

885-2854, 2854-0, Black	PER PKG./10	18.50
885-2855, 2854-2, Red	PER PKG./10	18.50
885-2856, 2854-4, Yellow	PER PKG./10	18.50
885-2857, 2854-5, Green	PER PKG./10	18.50
885-2859, 2854-6, Blue	PER PKG./10	18.50
885-2860, 2854-9, White	PER PKG./10	18.50

Uninsulated Banana Jack

Threaded for rapid mounting. Used with standard banana plugs. Furnished with hex nut and solder lug. **Material:** Banana jack and hex nut — Brass; Solder lug — copper. **Finish:** Banana jack and hex nut — Nickel plated; Solder lug — Tin plated. **Rating:** 15 amps.
885-3267, 3267, Unassembled PER PKG./10 8.50

Binding Posts

Standard Binding Post — Fig. F
Accepts standard banana plug. Thin line design for high-density packaging. Nickel plated 8-32 hex nut and lockwasher included. 2.54 mm (0.100) dia. cross hole is perpendicular with flat on insulator. Mounts in panels 1.57 mm (0.062) to 6.35 mm (0.250) thick. **Rating:** 2500 WVDC, 15 amps, +115°C (+239°F) max. **Finish:** 3760 — Tin plated; 3750 — Gold plated; 3770 — Gold plated tellurium copper.

885-3760, 3760-0, Black	EACH	2.45
885-3761, 3760-2, Red	EACH	2.45
885-3762, 3760-5, Green	EACH	2.45
885-3750, 3750-0, Black	EACH	3.60
885-3755, 3750-2, Red	EACH	3.60
885-6051, 3770-0, Black	EACH	5.00
885-6052, 3770-2, Red	EACH	5.00

Hex Head Binding Post — Fig. G
Material: Binding post body, nuts, lockwasher — Gold plated. Meets MIL-P-55149/1A. **Rating:** 1500 VRMS, 30 amps, +80°C (+176°F) max.
885-5018, 5018-0, Black EACH 7.90
885-5019, 5018-2, Red EACH 7.90

Miniature Binding Post — Fig. H
Accepts miniature banana plug, #8-32 hex nut and lockwasher included. 2.2 (0.086) dia. cross hole is perpendicular with flat on insulator. Mounts in panels up to 4.8 (0.188) thick. **Material:** Binding post body, captive thumb nut and hex nut — Brass; Lockwasher — Steel. **Finish:** Binding post with one captive thumb nut — Gold (2362) or bright tin plated (2439); Hex nut and lockwasher — Nickel plated. **Insulation:** Polycarbonate. **Rating:** 1500 VDC, 5 amps, +115°C (+239°F) max.

885-2382, 2382-0, Black	EACH	3.85
885-2383, 2382-2, Red	EACH	3.85
885-2439, 2439-0, Black	EACH	2.90
885-2440, 2439-2, Red	EACH	2.90

Double Binding Post Assembly — Fig. I
Nickel-plated 8-32 hex nut and lockwasher included. One red and one black tin plated binding post (type 3760) with double mounting base. **Material:** Double binding post with captive thumb nut — Brass. Accepts standard banana plug. **Finish:** Bright tin plated. **Insulation:** Polycarbonate. **Rating:** 2500 WVDC, 15 amps, +115°C (+239°F) max.

885-4243, 4243-0, Black, unassembled	EACH	4.85
885-4244, 4243-2, Red, unassembled	EACH	4.85

Spring Loaded Binding Post — Fig. J
Meets MIL-P-55149/8.
885-4995, 4995-0, Black EACH 13.70
885-4997, 4995-2, Red EACH 13.70

Binding Post to Banana Plug — Fig. K — NEW
Insulated binding post for rapid mounting of components and test leads. End accepts standard banana plug, cross-hole accepts test probe tips or lead wires up to 0.10" diameter. Center cross-hole accepts standard banana plugs. **Insulation:** Polycarbonate, ABS. **Rating:** 2500 VDC, 15 A, 50°C (122°F).
885-6013, 2894-0, Black EACH 4.15
885-6014, 2894-2, Red EACH 4.15

Double Banana Jack

Mounts in panels from 1.60 mm (0.063) to 9.53 mm (0.375) thick. Nickel plated lockwasher and 1/4-32 hex nut. One black and one red jack. Choice of black or red mounting base. **Material:** Brass. **Finish:** Bright tin plated. **Rating:** 2500 WVDC, 15 amps, +115°C (+239°F) max. Jacks are spaced at 0.75 inch centers.
885-2269, 2269-0, Black EACH 2.50
885-2270, 2269-2, Red EACH 2.50

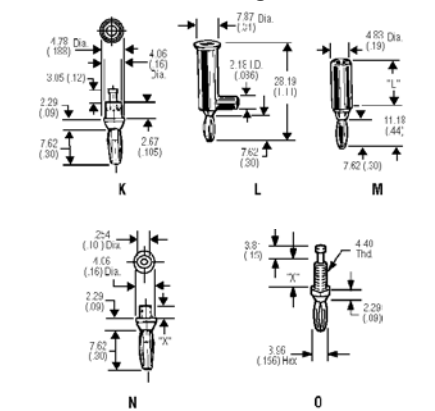
Insulated Barrier Strip Spade Lug to Banana Jack

Permits single banana plug to be used with equipment having barrier strips. Lugs fit a no. 8 or 10 screw. Banana jack — 4.2 (0.166) dia., brass, nickel plated. **Insulation:** ABS. 0.8 (0.03) thick spade lug, Copper, electro-tin plated. **Rating:** 5000 VDC, 15 amps, +50°C (+122°F) max.
885-3779, 3779A-0, Black EACH 1.25
885-3781, 3779A-2, Red EACH 1.33

Banana Plug Coupler

Provides rapid method for splicing single banana plug patch cords. Reduces the necessity of storing extra long patch cords. Molded thermoplastic body provides protective insulation. 4.22 mm (0.166) dia. banana jack. **Material:** Brass. **Finish:** Nickel plated. **Insulation:** Polypropylene. **Rating:** 5000 WVDC, 15 amps, +55°C (+131°F) max.
885-1829, 1829-0, Black PER PKG./10 14.00

Miniature Banana Plugs



Rivet Type with Turret — Fig. K
Excellent for riveting to panels or boards. Solder turret for rapid attachment of wires. Mount in 1.57 mm (0.062) panel. **Material:** Miniature banana plug body — Brass; Spring — One piece heat treated beryllium copper. Fits miniature 2.64 mm (0.104) dia. banana jack. **Finish:** Gold plated. **Rating:** 2500 WVDC, 5 amps.
885-3273, 3273 PER PKG./10 10.00

Solderless Stackup with Safety Collar — Fig. L
Wire firmly held in place with setscrew. The integral collar insulates leads and acts as a strain relief by preventing the flexing of lead at setscrew. **Upper:** Miniature banana jack — 2.64 mm (0.104) dia., brass, gold plated. **Insulation:** ABS. **Lower:** Miniature banana plug, spring — One piece heat treated beryllium copper, gold plated. Fits miniature 2.64 mm (0.104) dia. banana jack. **Rating:** 2500 WVDC, 5 amps, +50°C (+122°F) max.
885-2945, 2945-0, Black EACH 3.00
885-2946, 2945-2, Red EACH 3.00

Solder Type — Fig. M
Miniature in-line plug for use with miniature binding posts or banana jacks. Wire is soldered directly to threaded plug. **Material:** Miniature banana plug body — Brass; Spring — One piece heat treated beryllium copper. Fits miniature 2.64 mm (0.104) dia. banana jack. **Finish:** Gold plated. **Insulation:** Nylon. **Rating:** 2500 WVDC, 5 amps, +80°C (+176°F) max.
885-3690, 3690-0, Black; Dim. "L" = 11.43 (0.45) PER PKG./10 16.50
885-3691, 3690-2, Red; Dim. "L" = 11.43 (0.45) PER PKG./10 16.50

Rivet Type — Fig. N
Excellent for riveting to panels or boards. **Material:** Miniature banana plug body — Brass; Spring — One piece heat treated beryllium copper. Fits miniature 2.64 mm (0.104) dia. banana jack. **Finish:** Gold plated. **Rating:** 2500 WVDC, 5 amps.
885-3276, 3276, Dim. "X" = 2.39 (0.094) PER PKG./10 10.00
885-3272, 3272, Dim. "X" = 3.96 (0.156) PER PKG./10 10.00

With Threaded Stud — Fig. O
Threaded stud for rapid mounting. Solder turret for attachment of wires. Furnished with nickel plated 4-40 hex nut, unassembled. **Material:** Miniature banana plug body — Brass; Spring — One piece heat treated beryllium copper. Fits miniature 2.6 (0.104) dia. banana jack. **Finish:** Gold plated. **Rating:** 2500 VDC, 5 amps.
885-3276, 3276, Dim. "X" = 5.8 (0.230), Unassembled PER PKG./10 11.50
885-4513, 4513, Dim. "X" = 12.2 (0.480), Unassembled PER PKG./10 16.50