

THIS DRAWING IS UNPUBLISHED.

RELEASED FOR PUBLICATION

© COPYRIGHT - TE Connectivity

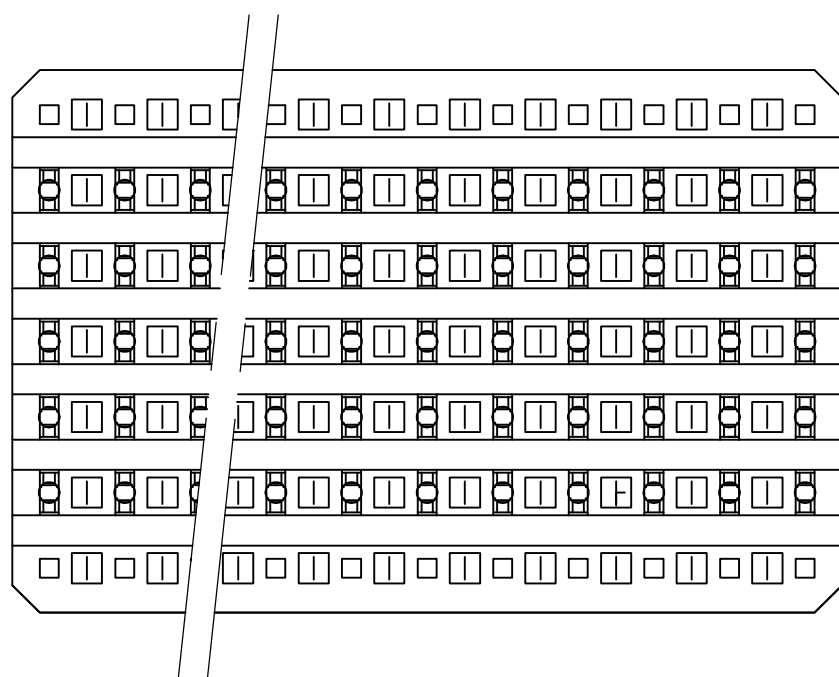
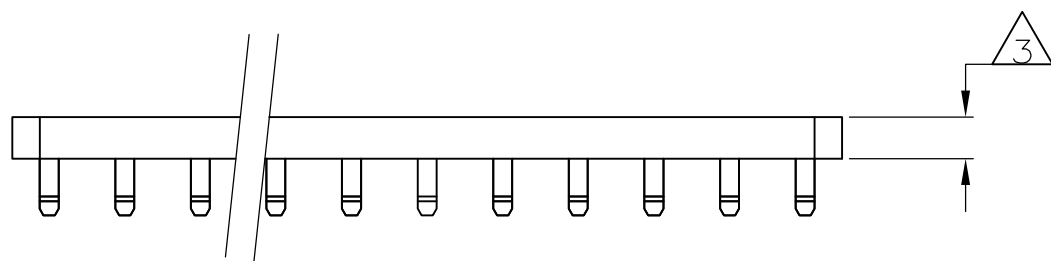
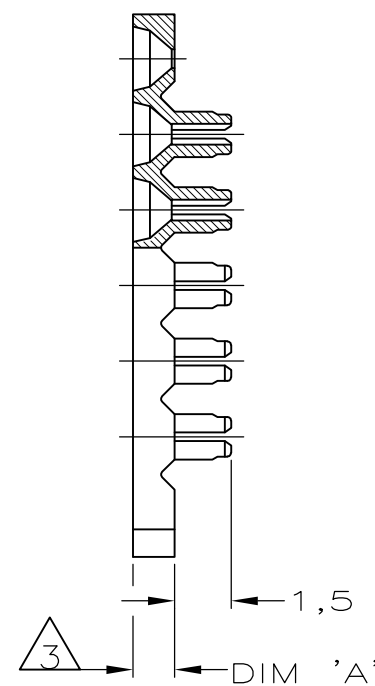
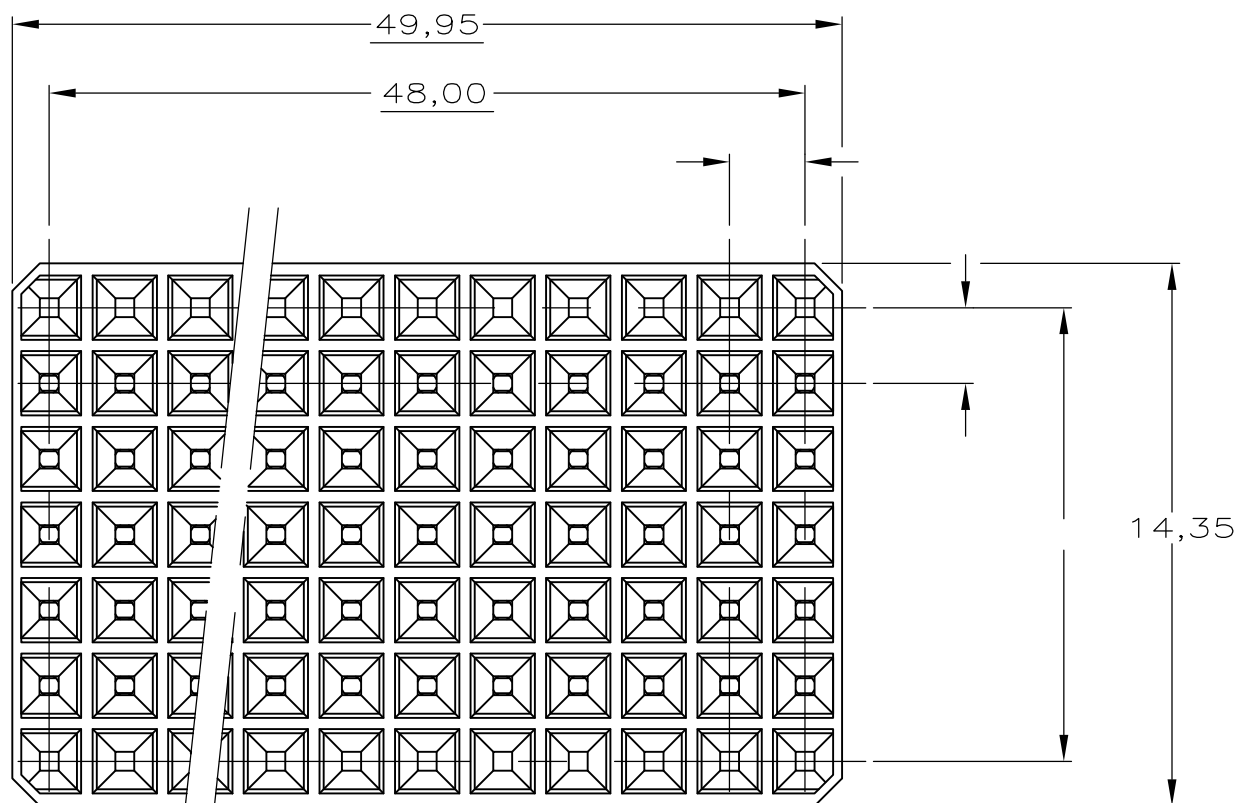
ALL RIGHTS RESERVED.

REVISIONS

P	LTR	DESCRIPTION	DATE	DWN	APVD
	F	ECR-16-013250	11JUL2017	FL	SY

NOTES:

- 1. MATERIAL: UNFILLED POLYESTER.(GREY)
- 2. 0-106458-3 AS SHOWN.
- 3. VARIABLE HEIGHT.
- 4. TO DETERMINE THE RECOMMENDED SPACER-THICKNESS FOR A GIVEN PCB THICKNESS: SEE APPLICATION SPECIFICATION 114-19031.



	PARTNUMBER	4 DIM "A"
OBSOLETE	0-106458-1	0,7
OBSOLETE	0-106458-2	0,9
OBSOLETE	0-106458-3	1,1
OBSOLETE	0-106458-4	1,3
OBSOLETE	0-106458-5	1,5
OBSOLETE	0-106458-6	1,7
	0-106458-7	1,9

THIS DRAWING IS A CONTROLLED DOCUMENT.		DWN L.V.D.HEIJDEN 29 JUNE '93	STE TE Connectivity	
DIMENSIONS: mm		CHK F.V.KONINGSBRUGGE 24 JUN 1997		
TOLERANCES UNLESS OTHERWISE SPECIFIED:		APVD F.V.KONINGSBRUGGE 24 JUN 1997	NAME Z-PACK 2mm HM SPACER, TYPE B 25 COLUMNS	
0 PLC ± -		PRODUCT SPEC 108-19082	RESTRICTED TO -	
1 PLC ± -		APPLICATION SPEC 114-19029	SIZE A3	CAGE CODE 00779
2 PLC ± - ±0.2		WEIGHT 0.000000	DRAWING NO C-106458	
3 PLC ± -		CUSTOMER DRAWING	SCALE -	SHEET 1 OF 1
4 PLC ± -				REV F
ANGLES ± -				
FINISH -				