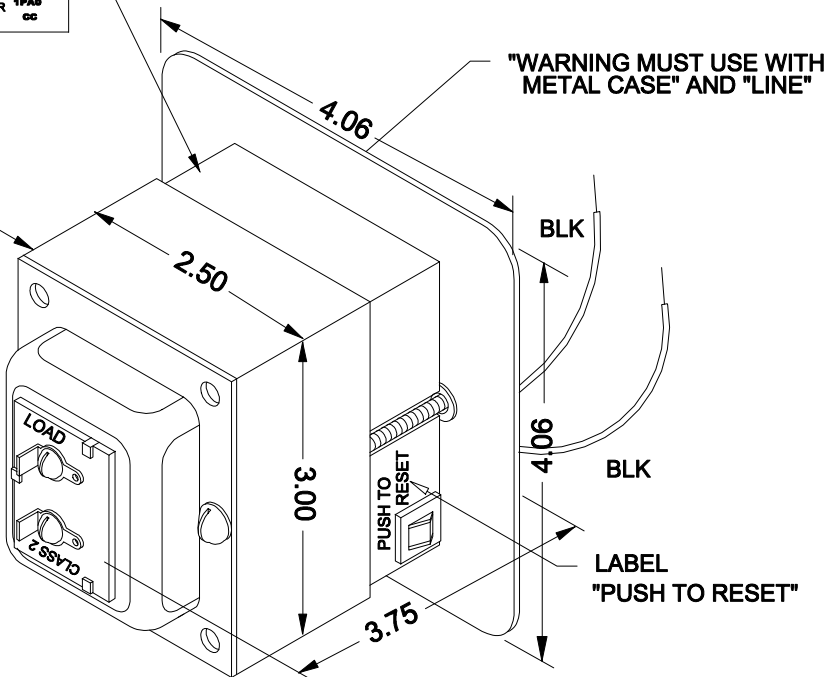
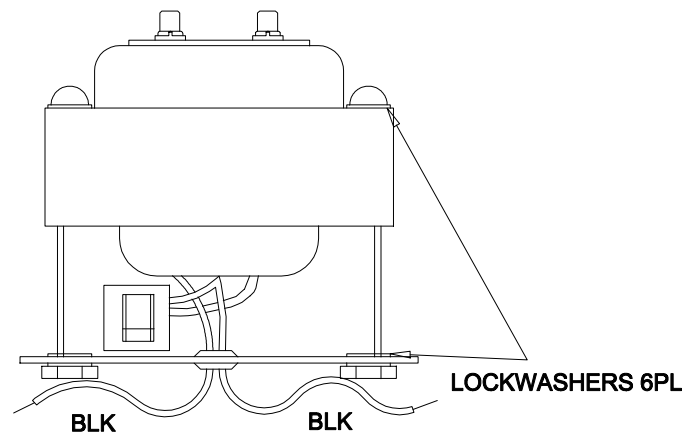


HAMMOND MANUFACTURING **BF2F**
 PRI BLK - BLK 120V 50/60Hz
 SEC 16V 75VA
 CLASS 2 NOT WET, CLASS 3 WET LISTED
 CLASS 2 XFRMR, CLASS 3 XFRMR 1PAD
 MADE IN CHINA DATE CC

UL HOLOGRAPHIC LABEL



NOTE: ALL LEADS 6" OUT MIN., STRIPPED .5"



ELECTRICAL DATA:

TESTS	CONDITIONS	ACCEPTANCE CRITERIA	
I _{ex}	@ 120V, 60Hz, BLK - BLK	135mA	Max.
Sec. N.L.V	@ 120V, 60Hz, BLK - BLK		
	TERM - TERM =	17.30V	±2%
DCR	@ 20°C, BLK - BLK =	6.100 Ω	±20%
	@ 20°C, TERM - TERM =	0.136 Ω	±20%
HIPOT	PRIMARY - SECONDARY	1500V, 60Hz, 1 SEC	

REV.#	REVISION	DATE
0	RELEASED.	06/21/11

HAMMOND MANUFACTURING

ELECTRONIC DIVISION

52 RANKIN PLACE,
 WATERLOO, ONTARIO, N2J 3Z5

PH # (519) 886-6181
 FAX # (519) 886-9540

DWG. BY: C. ILIE
 DATE: 06/21/11

CHK'D BY:
 APP'D. BY:
 DIMENSIONS: IN(X) MM()

TITLE: BF2F
 TRANSFORMER

DWG. NO.
 BF2F