

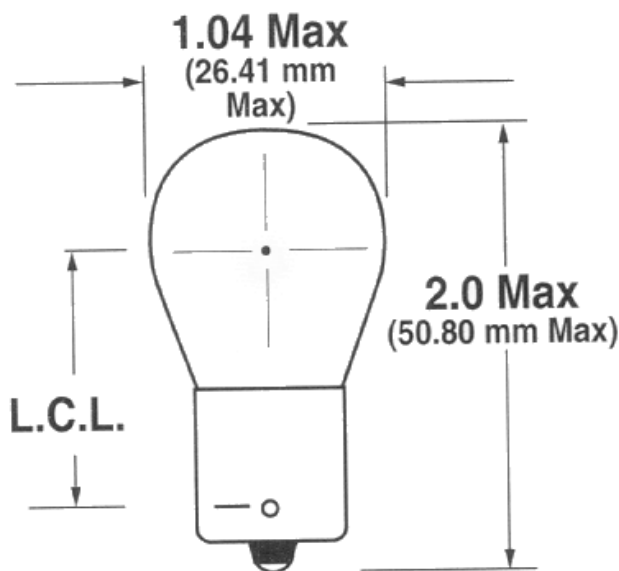
*Lamp Specification*

Wamco Part No.	Envelope Size	Base Type	Rating	Filament Shape
WL-2232	S-8	BA15s	28V 0.640A	CC-8

Test Volts	Current (A)			Light Output (MSCP)			Life Hours
	Min.	Nom.	Max.	Min.	Nom.	Max.	
28.0	.576	.640	.704	14.4	18.0	21.6	2,000 Hrs

**Dimensional Characteristics:**

1. L.C.L. = 1.19" (30.2mm)
2. Base = Nickel-plated Brass Construction.
3. Spiral Filament Supports



**Title:**

**S-8 Single Contact Bayonet Base Lamp  
28V .640A Gas-Filled**

<b>Drawn</b>	6/14/00	CI	<b>Notes:</b> Unless otherwise specified, all dimensions are in inches.
<b>Checked</b>	6/14/00	EB	
<b>Approved</b>	6/14/00	EB	