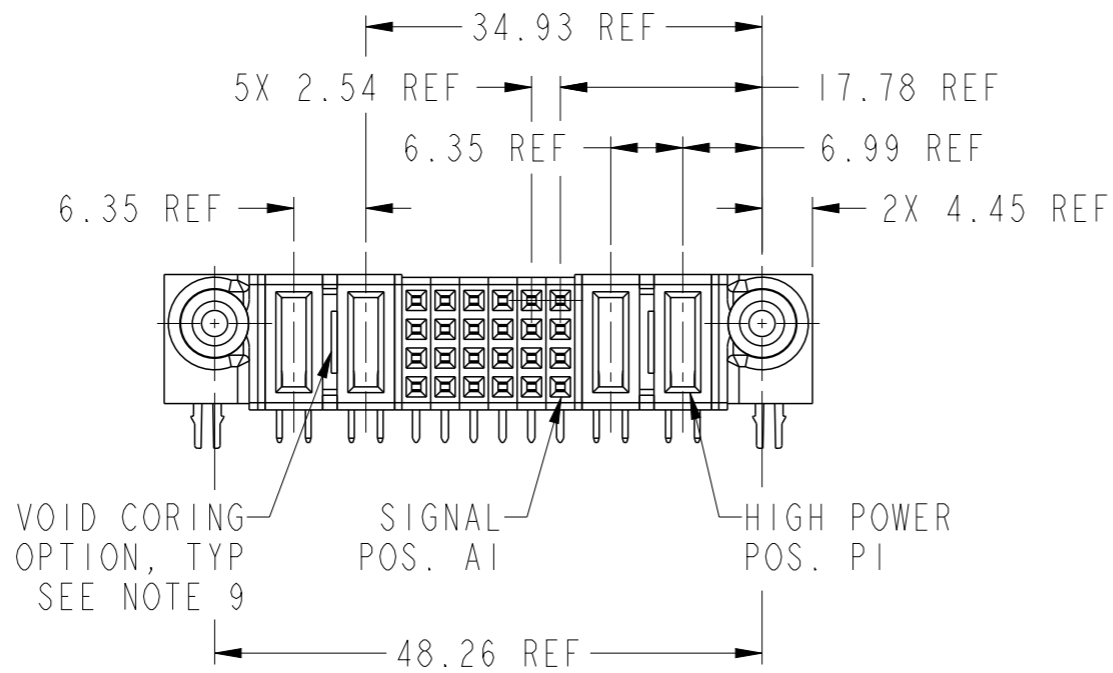
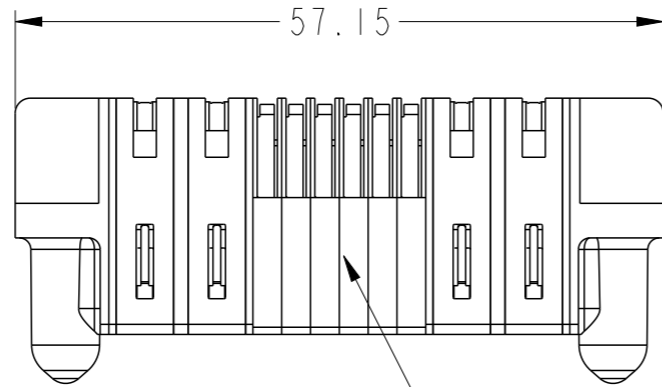
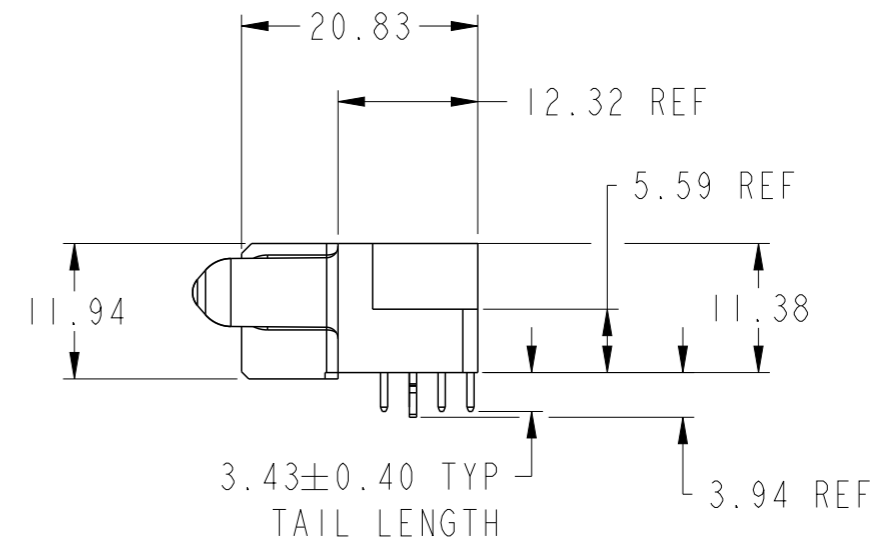
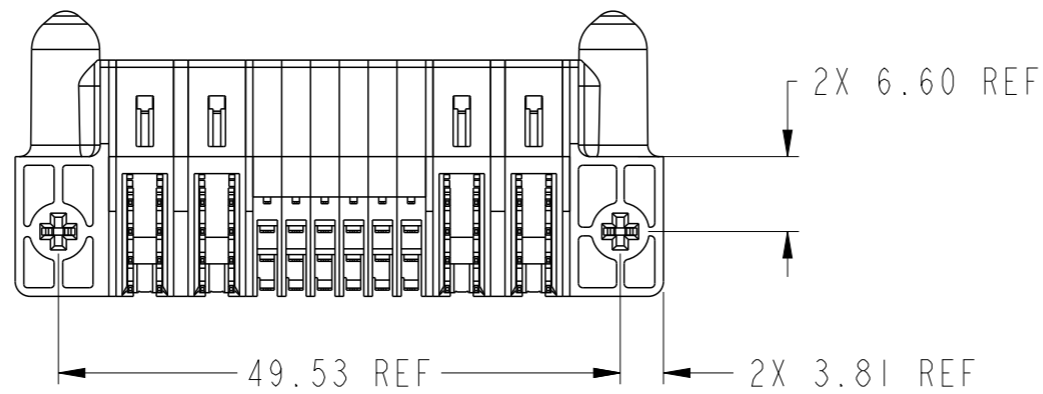


PRODUCT NUMBER SEE SHEET 2

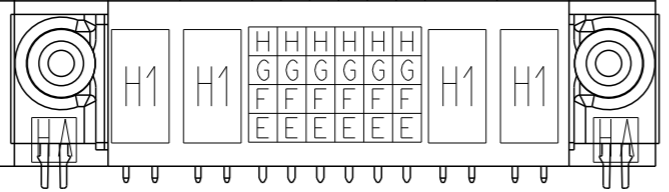


VOID CORING OPTION, TYP SEE NOTE 9
 SIGNAL POS. A1
 HIGH POWER POS. P1

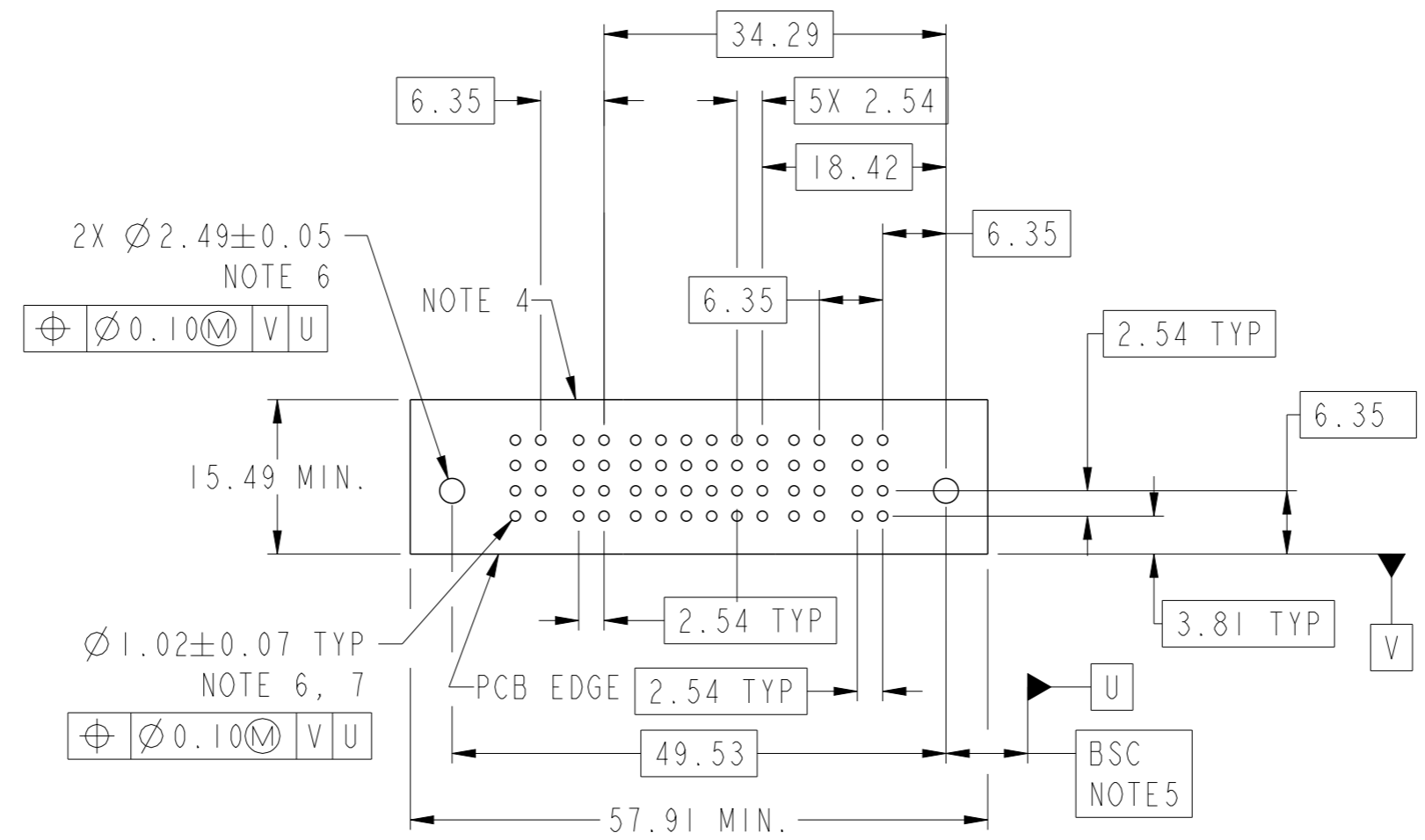


spec ref	*	dr	Peng-Bing Fu	2012/05/23	projection	MM	size	A3	scale	3:2
tolerance std	ASME Y14.5	eng	Peng-Bing Fu	2013/05/17			ecn no		-	
TOLERANCES UNLESS OTHERWISE SPECIFIED		chr	-	-			rel level		Released	
surface	 linear ASME Y14.5 angular	appr	Pei-Ming Zheng	2013/05/17	product family	PwrBlade+	dwg no	10106126-4006001	rev	A
					 www.fci.com	2HP + 24S + 2HP RA STB RECEPTACLE	cat. no.	Product - Customer Drw	sheet 1 of 3	

PRODUCT NO. 10106126-4006001LF	ROWS DCBA	HP		SIGNAL						HP		E1	E2
		P4	P3	6	5	4	3	2	1	P2	P1		



CODE	DESCRIPTION
E	STD SIGNAL CONTACT, ROW A
F	STD SIGNAL CONTACT, ROW B
G	STD SIGNAL CONTACT, ROW C
H	STD SIGNAL CONTACT, ROW D
HI	MFBL HIGH POWER CONTACT(3.43)
HA	METAL HOLD DOWN



Copyright FCI.

dr	Peng-Bing Fu	2012/05/23	projection	MM	size	A3	scale	3:2
eng	Peng-Bing Fu	2013/05/17			ecn no		-	
chr	-	-			rel level		Released	
appr	Pei-Ming Zheng	2013/05/17	product family		PwrBlade+		-	
			2HP + 24S + 2HP			dwg no		10106126-4006001
www.fci.com			RA STB RECEPTACLE			rev		A
cat. no.			Product - Customer Drw			sheet 2 of 3		

NOTES:

- 1) "FCI", PART NUMBER AND DATE CODE TO BE MARKED ON THIS SURFACE.
THE P/N CAN BE OMITTED IF THERE IS NOT ENOUGH SPACE ON THIS SURFACE.
- 2) MATERIALS:
-HOUSING - GLASS FILLED WITH HIGH TEMP THERMOPLASTIC, UL94V-0.
-SIGNAL CONTACT - COPPER ALLOY.
-POWER CONTACT - HIGH CONDUCTIVITY COPPER ALLOY.
- 3) PLATING SPECIFICATION REFER TO FCI 10116351
- 4) DENOTES CONNECTOR KEEP OUT ZONE.
- 5) DATUM AND BASIC DIMENIONS WERE ESTABLISHED BY CUSTOMER.
- 6) ALL HOLE DIAMETERS ARE FINISHED HOLE SIZES.
- 7) 1.15 ± 0.025 MM DRILLED HOLE PLATED WITH 0.00762MM MIN Sn
OVER 0.0254-0.0762MM Cu PLATING TO ACHIEVE A 1.02 ± 0.07 MM HOLE.
- 8) PRODUCT SPECIFICATION REFER TO FCI GS-12-658.
APPLICATION SPECIFICATION REFER TO FCI GS-20-141.
PRODUCT PACKAGED IN TRAYS, REFER TO FCI GS-14-1502.
- 9) THE VOID CORING IN BETWEEN POWER MODULES, SIGNAL
MODULES AND END MODULES ARE OPTIONAL AND THE SHAPE
MAY BE DIFFERENT FOR OPTIMIZE THE MOLDING PROCESS. THE
VOID CORING WILL NOT EFFECT TO PRODUCT FUNCTION.



Copyright FCI.

dr	Peng-Bing Fu	2012/05/23	projection 	MM 	size	A3	scale	3:2
eng	Peng-Bing Fu	2013/05/17			ecn no	-		
chr	-	-			rel level	Released		
appr	Pei-Ming Zheng	2013/05/17	product family	PwrBlade+				
		2HP + 24S + 2HP RA STB RECEPTACLE			dwg no 10106126-4006001	rev A		
www.fci.com		cat. no.	Product - Customer Drw		sheet 3 of 3			