

DATA SHEET

74ABT16245B
74ABTH16245B
16-bit bus transceiver (3-State)

Product data
Supersedes data of 1998 Feb 25

2002 Dec 13

16-bit bus transceiver (3-State)

74ABT16245B 74ABTH16245B

FEATURES

- 16-bit bidirectional bus interface
- Power-up 3-State
- Multiple V_{CC} and GND pins minimize switching noise
- 3-State buffers
- Output capability: +64 mA / -32 mA
- Latch-up protection exceeds 500 mA per JEDEC Std 17
- Live insertion/extraction permitted
- ESD protection exceeds 2000 V per MIL STD 883 Method 3015 and 200 V per Machine Model
- 74ABTH16245B incorporates bus-hold data inputs which eliminate the need for external pull-up resistors to hold unused inputs
- Bus-hold data inputs eliminate the need for external pull-up resistors to hold unused inputs

DESCRIPTION

The 74ABT16245B high-performance BiCMOS device combines low static and dynamic power dissipation with high speed and high output drive.

The 74ABT16245B device is a dual octal transceiver featuring non-inverting 3-State bus compatible outputs in both send and receive directions. The control function implementation minimizes external timing requirements. The device features two Output Enable ($1\overline{OE}$, $2\overline{OE}$) inputs for easy cascading and two Direction ($1DIR$, $2DIR$) inputs for direction control.

Two options are available, 74ABT16245B which does not have the bus hold feature and the 74ABTH16245B which incorporates the bus hold feature.

QUICK REFERENCE DATA

SYMBOL	PARAMETER	CONDITIONS $T_{amb} = 25\text{ }^{\circ}\text{C}; \text{GND} = 0\text{ V}$	TYPICAL	UNIT
t_{PLH} t_{PHL}	Propagation delay nAx to nBx or nBx to nAx	$C_L = 50\text{ pF}; V_{CC} = 5\text{ V}$	2.0 2.3	ns
C_{IN}	Input capacitance	$V_I = 0\text{ V or } V_{CC}$	4	pF
$C_{I/O}$	I/O pin capacitance	$V_O = 0\text{ V or } V_{CC}; 3\text{-State}$	7	pF
I_{CCZ}	Quiescent supply current	Outputs disabled; $V_{CC} = 5.5\text{ V}$	500	μA
I_{CCL}		Output Low; $V_{CC} = 5.5\text{ V}$	10	mA

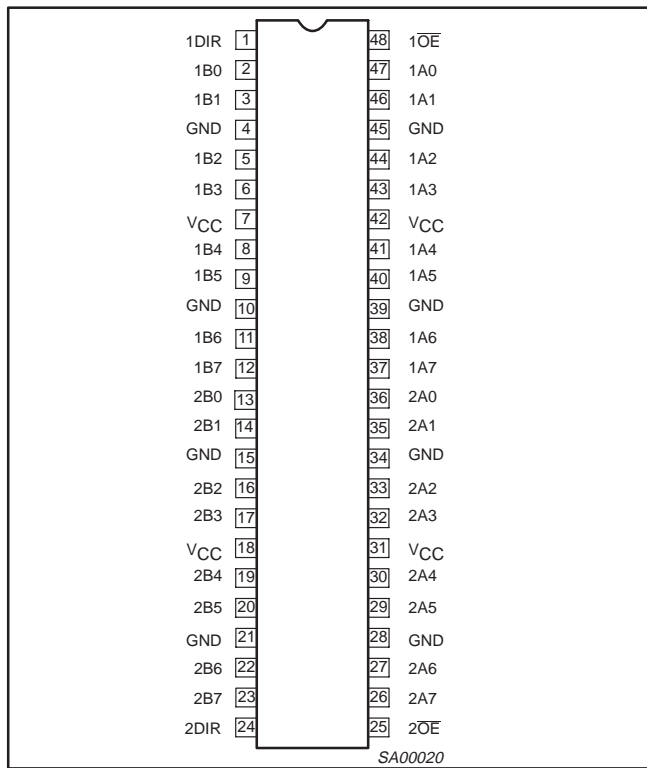
ORDERING INFORMATION

PACKAGES	TEMPERATURE RANGE	PART NUMBER	DWG NUMBER
48-Pin Plastic SSOP Type III	-40 °C to +85 °C	74ABT16245BDL	SOT370-1
48-Pin Plastic TSSOP Type II	-40 °C to +85 °C	74ABT16245BDGG	SOT362-1
48-Pin Plastic SSOP Type III	-40 °C to +85 °C	74ABTH16245BDL	SOT370-1

16-bit bus transceiver (3-State)

74ABT16245B
74ABTH16245B

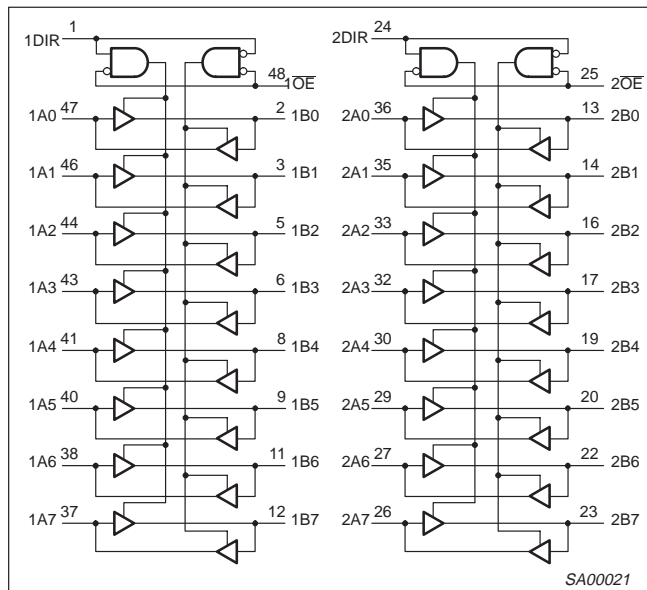
PIN CONFIGURATION



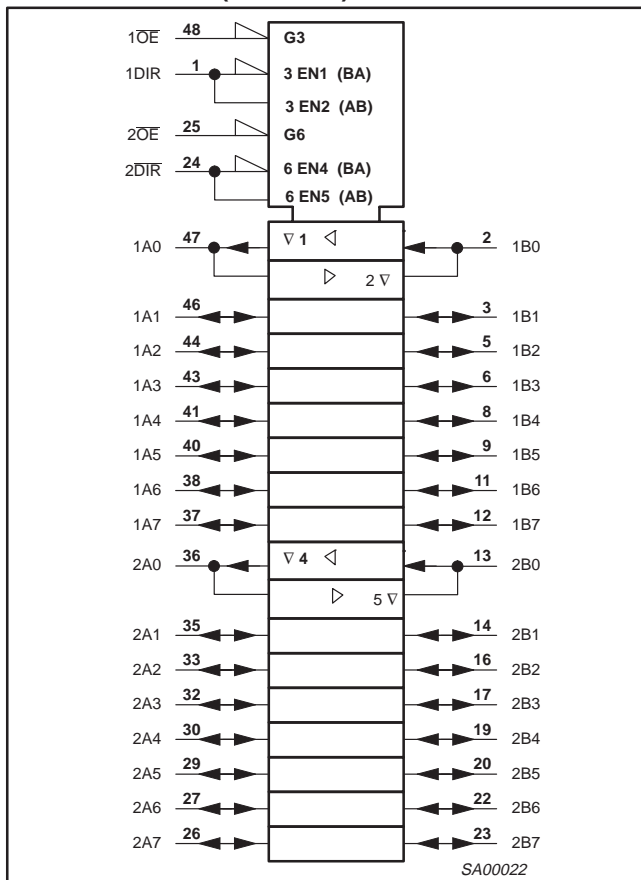
PIN DESCRIPTION

SYMBOL	PIN NUMBER	NAME AND FUNCTION
1DIR, 2DIR	1, 24	Direction control inputs (Active-HIGH)
1A0 – 1A7, 2A0 – 2A7	47, 46, 44, 43, 41, 40, 38, 37, 36, 35, 33, 32, 30, 29, 27, 26	Data inputs/outputs (A side)
1B0 – 1B7, 2B0 – 2B7	2, 3, 5, 6, 8, 9, 11, 12, 13, 14, 16, 17, 19, 20, 22, 23	Data inputs/outputs (B side)
1OE, 2OE	48, 25	Output enables
GND	4, 10, 15, 21, 28, 34, 39, 45	Ground (0 V)
VCC	7, 18, 31, 42	Positive supply voltage

LOGIC SYMBOL



LOGIC SYMBOL (IEEE/IEC)



16-bit bus transceiver (3-State)

74ABT16245B
74ABTH16245B

FUNCTION TABLE

INPUTS		INPUTS/OUTPUTS	
nOE	nDIR	nAx	nBx
L	L	A = B	Inputs
L	H	Inputs	B = A
H	X	Z	Z

H = HIGH voltage level
L = LOW voltage level
X = Don't care
Z = High impedance "off" scale

ABSOLUTE MAXIMUM RATINGS^{1, 2}

SYMBOL	PARAMETER	CONDITIONS	RATING	UNIT
V _{CC}	DC supply voltage		-0.5 to +7.0	V
I _{IK}	DC input diode current	V _I < 0 V	-18	mA
V _I	DC input voltage ³		-1.2 to +7.0	V
I _{OK}	DC output diode current	V _O < 0 V	-50	mA
V _{OUT}	DC output voltage ³	output in Off or HIGH state	-0.5 to +5.5	V
I _{OUT}	DC output current	output in LOW state	128	mA
		output in HIGH state	-64	
T _{stg}	Storage temperature range		-65 to 150	°C

NOTES:

- Stresses beyond those listed may cause permanent damage to the device. These are stress ratings only and functional operation of the device at these or any other conditions beyond those indicated under "recommended operating conditions" is not implied. Exposure to absolute-maximum-rated conditions for extended periods may affect device reliability.
- The performance capability of a high-performance integrated circuit in conjunction with its thermal environment can create junction temperatures which are detrimental to reliability. The maximum junction temperature of this integrated circuit should not exceed 150 °C.
- The input and output voltage ratings may be exceeded if the input and output current ratings are observed.

RECOMMENDED OPERATING CONDITIONS

SYMBOL	PARAMETER	LIMITS		UNIT
		Min	Max	
V _{CC}	DC supply voltage	4.5	5.5	V
V _I	Input voltage	0	V _{CC}	V
V _{IH}	HIGH-level input voltage	2.0		V
V _{IL}	LOW-level Input voltage		0.8	V
I _{OH}	HIGH-level output current		-32	mA
I _{OL}	LOW-level output current		64	mA
Δt/Δv	Input transition rise or fall rate	0	10	ns/V
T _{amb}	Operating free-air temperature range	-40	+85	°C

16-bit bus transceiver (3-State)

74ABT16245B
74ABTH16245B

DC ELECTRICAL CHARACTERISTICS

SYMBOL	PARAMETER	TEST CONDITIONS	LIMITS					UNIT
			T _{amb} = +25 °C			T _{amb} = -40 °C to +85 °C		
			Min	Typ	Max	Min	Max	
V _{IK}	Input clamp voltage	V _{CC} = 4.5 V; I _{IK} = -18 mA		-0.9	-1.2		-1.2	V
V _{OH}	High-level output voltage	V _{CC} = 4.5 V; I _{OH} = -3 mA; V _I = V _{IL} or V _{IH}	2.5	2.9		2.5		V
		V _{CC} = 5.0 V; I _{OH} = -3 mA; V _I = V _{IL} or V _{IH}	3.0	3.4		3.0		V
		V _{CC} = 4.5 V; I _{OH} = -32 mA; V _I = V _{IL} or V _{IH}	2.0	2.4		2.0		V
V _{OL}	Low-level output voltage	V _{CC} = 4.5 V; I _{OL} = 64 mA; V _I = V _{IL} or V _{IH}		0.42	0.55		0.55	V
I _I	Input leakage current	V _{CC} = 5.5 V; V _I = GND or 5.5 V		±0.01	±1.0		±1.0	μA
I _{HOLD}	Bus hold current A and B inputs 74ABTH16245B	V _{CC} = 4.5 V; V _I = 0.8 V	50			50		μA
		V _{CC} = 5.5 V; V _I = 2.0 V	-75			-75		
		V _{CC} = 5.5 V; V _I = 0 to 5.5 V	±500					
I _{OFF}	Power-off leakage current	V _{CC} = 0.0 V; V _O or V _I ≤ 4.5 V		±5.0	±100		±100	μA
I _{PU} /I _{PD}	Power-up/down 3-State output current	V _{CC} = 2.0 V; V _O = 0.5 V; V _I = GND or V _{CC} ; V _{OE} = Don't care		±5.0	±50		±50	μA
I _{IH} +I _{OZH}	3-State output HIGH current	V _{CC} = 5.5 V; V _O = 5.5 V; V _I = V _{IL} or V _{IH}		0.1	10		10	μA
I _{IL} +I _{OZL}	3-State output LOW current	V _{CC} = 5.5 V; V _O = 0.0 V; V _I = V _{IL} or V _{IH}		0.1	10		10	μA
I _{CEX}	Output high leakage current	V _{CC} = 5.5 V; V _O = 5.5 V; V _I = GND or V _{CC}		5.0	50		50	μA
I _O	Output current ¹	V _{CC} = 5.5 V; V _O = 2.5 V	-50	-92	-180	-50	-180	mA
I _{CCH}	Quiescent supply current	V _{CC} = 5.5 V; Outputs High, V _I = GND or V _{CC}		0.30	0.70		0.70	mA
I _{CCL}		V _{CC} = 5.5 V; Outputs Low, V _I = GND or V _{CC}		10	19		19	mA
I _{CCZ}		V _{CC} = 5.5 V; Outputs 3-State; V _I = GND or V _{CC}		0.30	0.70		0.70	mA
ΔI _{CC}	Additional supply current per input pin ²	Outputs enabled, one data input at 3.4 V, other inputs at V _{CC} or GND; V _{CC} = 5.5 V		400	700		700	μA
		Outputs disabled, one data input at 3.4 V, other inputs at V _{CC} or GND; V _{CC} = 5.5 V		100	250		250	μA
		Control pins, outputs disabled, one enable input at 3.4 V, other inputs at V _{CC} or GND; V _{CC} = 5.5 V		400	700		700	μA

NOTES:

- Not more than one output should be tested at a time, and the duration of the test should not exceed one second.
- This is the increase in supply current for each input at 3.4 V.
- This is the bus hold overdrive current required to force the input to the opposite logic state.

16-bit bus transceiver (3-State)

74ABT16245B
74ABTH16245B

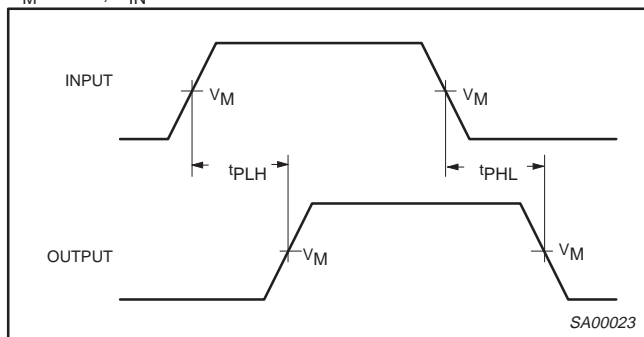
AC CHARACTERISTICS

GND = 0V; $t_R = t_F = 2.5\text{ns}$; $C_L = 50\text{pF}$, $R_L = 500\Omega$

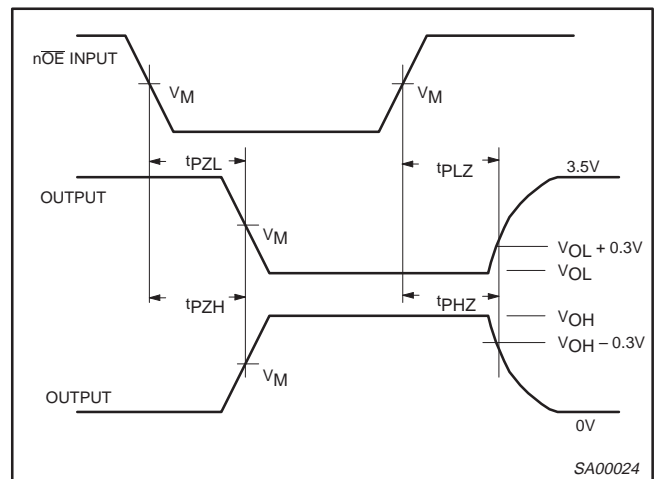
SYMBOL	PARAMETER	WAVEFORM	LIMITS					UNIT
			$T_{\text{amb}} = +25\text{ }^\circ\text{C}$ $V_{\text{CC}} = +5.0\text{ V}$			$T_{\text{amb}} = -40\text{ }^\circ\text{C to } +85\text{ }^\circ\text{C}$ $V_{\text{CC}} = +5.0\text{ V } \pm 0.5\text{ V}$		
			Min	Typ	Max	Min	Max	
t_{PLH} t_{PHL}	Propagation delay nAx to nBx or nBx to nAx	1	1.0 1.0	2.0 2.3	3.2 3.5	1.0 1.0	3.5 4.0	ns
t_{PZH} t_{PZL}	Output enable time to High and Low level	2	1.0 1.7	3.1 4.0	4.4 5.2	1.0 1.7	5.1 6.1	ns
t_{PHZ} t_{PLZ}	Output disable time from High and Low level	2	1.7 1.5	3.5 3.2	4.9 4.4	1.7 1.5	5.4 5.0	ns

AC WAVEFORMS

$V_M = 1.5\text{V}$, $V_{\text{IN}} = \text{GND to } 3.0\text{V}$



Waveform 1. Input to Output Propagation Delays

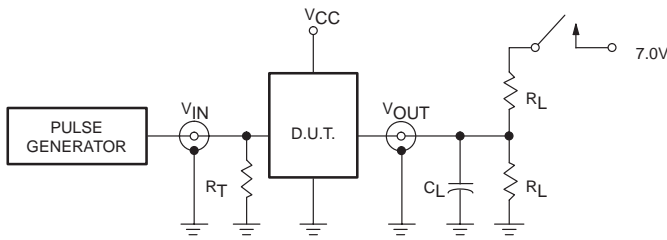


Waveform 2. 3-State Output Enable and Disable Times

16-bit bus transceiver (3-State)

74ABT16245B
74ABTH16245B

TEST CIRCUIT



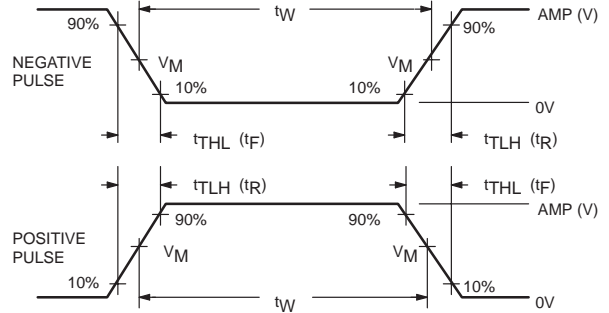
Test Circuit for 3-State Outputs

SWITCH POSITION

TEST	SWITCH
t_{PLZ}	closed
t_{pZL}	closed
All other	open

DEFINITIONS

- R_L = Load resistor; see AC CHARACTERISTICS for value.
- C_L = Load capacitance includes jig and probe capacitance; see AC CHARACTERISTICS for value.
- R_T = Termination resistance should be equal to Z_{OUT} of pulse generators.



$V_M = 1.5V$
Input Pulse Definition

FAMILY	INPUT PULSE REQUIREMENTS				
	Amplitude	Rep. Rate	t_W	t_R	t_F
74ABT/H16	3.0V	1MHz	500ns	2.5ns	2.5ns

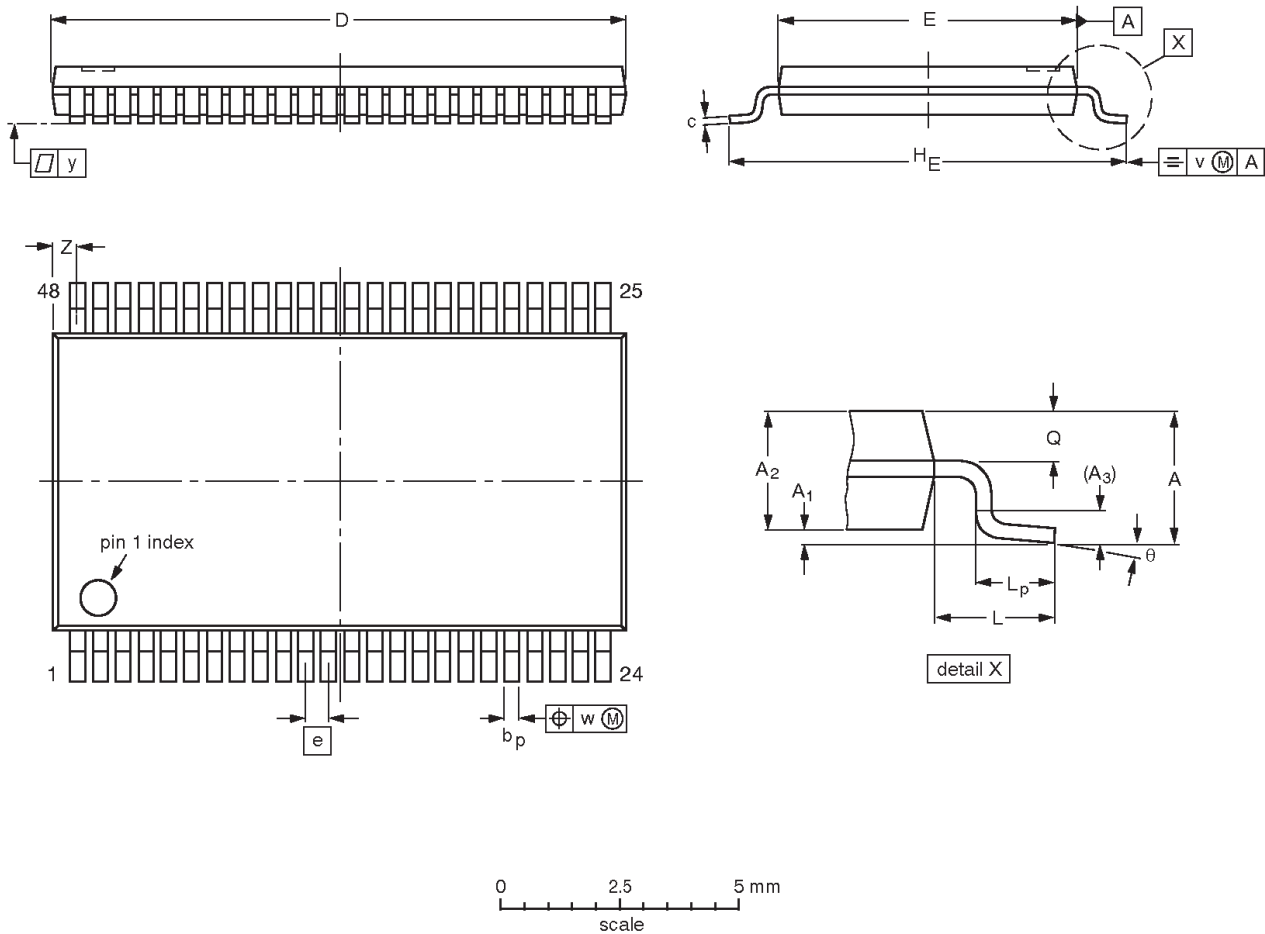
SA00018

16-bit bus transceiver (3-State)

74ABT16245B
74ABTH16245B

TSSOP48: plastic thin shrink small outline package; 48 leads; body width 6.1 mm

SOT362-1



DIMENSIONS (mm are the original dimensions).

UNIT	A max.	A ₁	A ₂	A ₃	b _p	c	D ⁽¹⁾	E ⁽²⁾	e	H _E	L	L _p	Q	v	w	y	Z	θ
mm	1.2	0.15 0.05	1.05 0.85	0.25	0.28 0.17	0.2 0.1	12.6 12.4	6.2 6.0	0.5	8.3 7.9	1	0.8 0.4	0.50 0.35	0.25	0.08	0.1	0.8 0.4	8° 0°

Notes

1. Plastic or metal protrusions of 0.15 mm maximum per side are not included.
2. Plastic interlead protrusions of 0.25 mm maximum per side are not included.

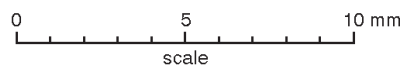
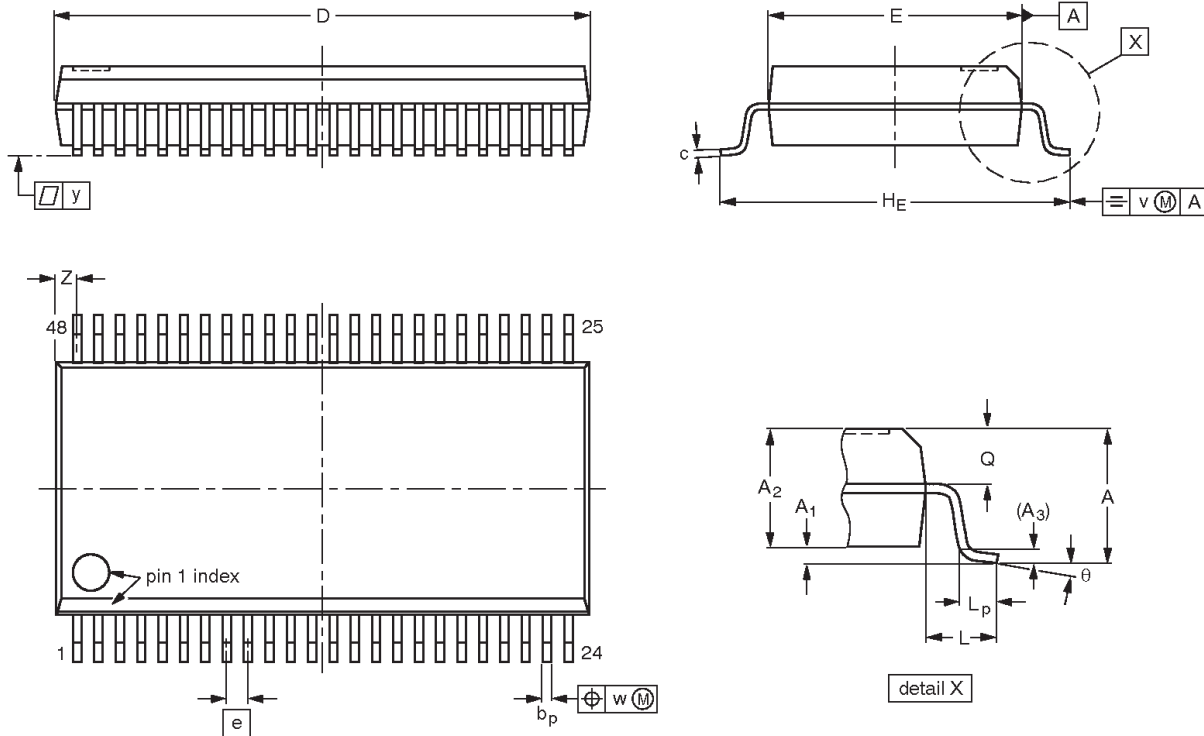
OUTLINE VERSION	REFERENCES				EUROPEAN PROJECTION	ISSUE DATE
	IEC	JEDEC	EIAJ			
SOT362-1		MO-153				-95-02-10 99-12-27

16-bit bus transceiver (3-State)

74ABT16245B
74ABTH16245B

SSOP48: plastic shrink small outline package; 48 leads; body width 7.5 mm

SOT370-1



DIMENSIONS (mm are the original dimensions)

UNIT	A max.	A ₁	A ₂	A ₃	b _p	c	D ⁽¹⁾	E ⁽¹⁾	e	H _E	L	L _p	Q	v	w	y	Z ⁽¹⁾	θ
mm	2.8	0.4 0.2	2.35 2.20	0.25	0.3 0.2	0.22 0.13	16.00 15.75	7.6 7.4	0.635	10.4 10.1	1.4	1.0 0.6	1.2 1.0	0.25	0.18	0.1	0.85 0.40	8° 0°

Note

1. Plastic or metal protrusions of 0.25 mm maximum per side are not included.

OUTLINE VERSION	REFERENCES				EUROPEAN PROJECTION	ISSUE DATE
	IEC	JEDEC	EIAJ			
SOT370-1		MO-118				95-02-04 99-12-27

16-bit bus transceiver (3-State)

74ABT16245B
74ABTH16245B

REVISION HISTORY

Rev	Date	Description
_3	20021213	Product data (9397 750 10854); ECN 853-1742 29296 of 12 December 2002. Supersedes data of 25 February 1998 (9397 750 03486). Modifications: <ul style="list-style-type: none">● Ordering information table: remove "North America" column; remove 74ABTH16245BDGG package offering.
_2	19980225	Product specification (9397 750 03486). ECN 853-1742 19018 of 25 February 1998. Supersedes data of 20 November 1996.

16-bit bus transceiver (3-State)

74ABT16245B
74ABTH16245B

Data sheet status

Level	Data sheet status ^[1]	Product status ^{[2] [3]}	Definitions
I	Objective data	Development	This data sheet contains data from the objective specification for product development. Philips Semiconductors reserves the right to change the specification in any manner without notice.
II	Preliminary data	Qualification	This data sheet contains data from the preliminary specification. Supplementary data will be published at a later date. Philips Semiconductors reserves the right to change the specification without notice, in order to improve the design and supply the best possible product.
III	Product data	Production	This data sheet contains data from the product specification. Philips Semiconductors reserves the right to make changes at any time in order to improve the design, manufacturing and supply. Relevant changes will be communicated via a Customer Product/Process Change Notification (CPCN).

[1] Please consult the most recently issued data sheet before initiating or completing a design.

[2] The product status of the device(s) described in this data sheet may have changed since this data sheet was published. The latest information is available on the Internet at URL <http://www.semiconductors.philips.com>.

[3] For data sheets describing multiple type numbers, the highest-level product status determines the data sheet status.

Definitions

Short-form specification — The data in a short-form specification is extracted from a full data sheet with the same type number and title. For detailed information see the relevant data sheet or data handbook.

Limiting values definition — Limiting values given are in accordance with the Absolute Maximum Rating System (IEC 60134). Stress above one or more of the limiting values may cause permanent damage to the device. These are stress ratings only and operation of the device at these or at any other conditions above those given in the Characteristics sections of the specification is not implied. Exposure to limiting values for extended periods may affect device reliability.

Application information — Applications that are described herein for any of these products are for illustrative purposes only. Philips Semiconductors make no representation or warranty that such applications will be suitable for the specified use without further testing or modification.

Disclaimers

Life support — These products are not designed for use in life support appliances, devices, or systems where malfunction of these products can reasonably be expected to result in personal injury. Philips Semiconductors customers using or selling these products for use in such applications do so at their own risk and agree to fully indemnify Philips Semiconductors for any damages resulting from such application.

Right to make changes — Philips Semiconductors reserves the right to make changes in the products—including circuits, standard cells, and/or software—described or contained herein in order to improve design and/or performance. When the product is in full production (status 'Production'), relevant changes will be communicated via a Customer Product/Process Change Notification (CPCN). Philips Semiconductors assumes no responsibility or liability for the use of any of these products, conveys no license or title under any patent, copyright, or mask work right to these products, and makes no representations or warranties that these products are free from patent, copyright, or mask work right infringement, unless otherwise specified.

Contact information

For additional information please visit
<http://www.semiconductors.philips.com>. Fax: +31 40 27 24825

© Koninklijke Philips Electronics N.V. 2002
All rights reserved. Printed in U.S.A.

Date of release: 12-02

For sales offices addresses send e-mail to:
sales.addresses@www.semiconductors.philips.com

Document order number:

9397 750 10854

Let's make things better.