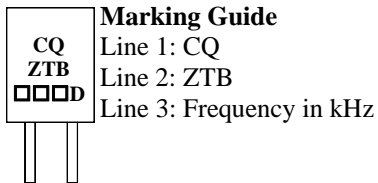
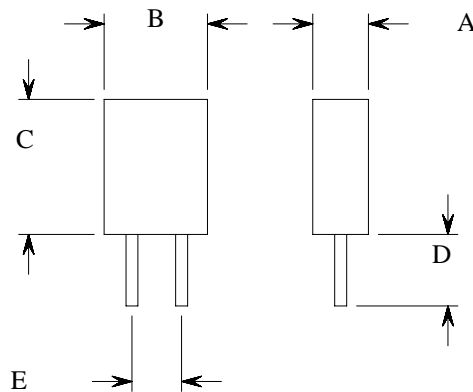
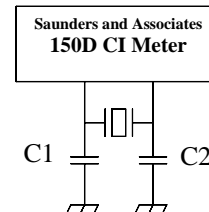


ZTB Series Ceramic Resonator



Test Circuit



Part Number	Frequency Range (kHz)	Frequency Tolerance	Temperature Characteristics of Oscillation Frequency	Aging Rate (10 yrs.)	Resonant Resistance	C1 (pF)	C2 (pF)	Dimensions (Tolerance: ±0.3mm)				
								A	B	C	D	E
ZTBxxxD	190-249	±1.0kHz	±0.3%	±0.5%	20	330	470	3.8	13.5	14.7	8.0	10.0
ZTBxxxD	250-374	±1.0kHz	±0.3%	±0.5%	20	220	470	3.8	11.0	12.2	7.0	7.7
ZTBxxxP	375-429	±2.0kHz	±0.3%	±0.5%	20	120	470	3.6	7.9	9.3	6.0	5.0
ZTBxxxE	430-449	±2.0kHz	±0.3%	±0.5%	20	100	100	3.6	7.9	9.3	5.0	5.0
ZTBxxxE	450-509	±2.0kHz	±0.3%	±0.5%	20	100	100	3.5	7.0	9.0	5.0	5.0
ZTBxxxP	510-699	±2.0kHz	±0.3%	±0.5%	35	100	100	3.5	7.0	9.0	5.0	5.0
ZTBxxxJ	700-999	±0.5kHz	±0.3%	±0.5%	70	100	100	2.2	5.0	6.0	3.5	2.5
ZTBxxxMJ	1000-1250	±0.5kHz	±0.3%	±0.5%	100	100	100	2.2	5.0	6.0	3.5	2.5