

# Commercial “L” Series, SnPb Termination, C0G Dielectric

## 10 – 200 VDC (Commercial Grade)

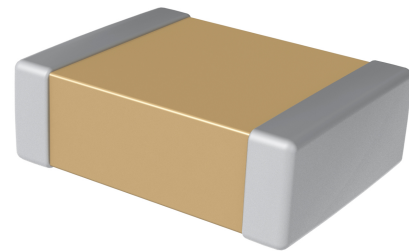
### Overview

KEMET’s Commercial “L” Series with Tin/Lead Termination surface mount capacitors in C0G dielectric are designed to meet the needs of critical applications where tin/lead end metallization is required. KEMET’s tin/lead electroplating process is designed to meet a 5% minimum lead content and address concerns for a more robust and reliable lead containing termination system. As the bulk of the electronics industry moves towards RoHS compliance, KEMET continues to provide tin/lead terminated products for military, aerospace and industrial applications and will ensure customers have a stable and long-term source of supply.

KEMET’s C0G dielectric features a 125°C maximum operating temperature and is considered “stable.” The Electronics Components, Assemblies & Materials Association (EIA) characterizes C0G dielectric as a Class I material. Components of this classification are temperature compensating and are suited for resonant circuit applications or those where Q and stability of capacitance characteristics are required. C0G exhibits no change in capacitance with respect to time and voltage and boasts a negligible change in capacitance with reference to ambient temperature. Capacitance change is limited to  $\pm 30$  ppm/°C from -55°C to +125°C.

### Benefits

- -55°C to +125°C operating temperature range
- Reliable and robust termination system
- EIA 0402, 0603, 0805, 1206, 1210, 1808, 1812, 1825, 2220, and 2225 case sizes
- DC voltage ratings of 10 V, 16 V, 25 V, 50 V, 100 V, 200 V and 250 V
- Capacitance offerings ranging from 0.5 pF up to 0.47  $\mu$ F
- Available capacitance tolerances of  $\pm 0.10$  pF,  $\pm 0.25$  pF,  $\pm 0.5$  pF,  $\pm 1\%$ ,  $\pm 2\%$ ,  $\pm 5\%$ ,  $\pm 10\%$ , and  $\pm 20\%$



### Ordering Information

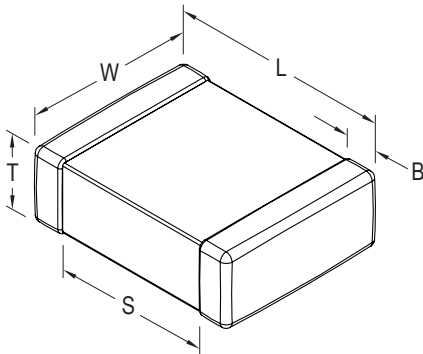
C	1206	C	104	J	3	G	A	L	TU
Ceramic	Case Size (L" x W")	Specification/ Series	Capacitance Code (pF)	Capacitance Tolerance <sup>1</sup>	Voltage	Dielectric	Failure Rate/ Design	Termination Finish <sup>2</sup>	Packaging/Grade (C-Spec) <sup>3</sup>
	0402 0603 0805 1206 1210 1808 1812 1825 2220 2225	C = Standard	2 significant digits + number of zeros. Use 9 for 1.0 – 9.9 pF Use 8 for 0.5 – .99 pF e.g., 2.2 pF = 229 e.g., 0.5 pF = 508	B = $\pm 0.10$ pF C = $\pm 0.25$ pF D = $\pm 0.5$ pF F = $\pm 1\%$ G = $\pm 2\%$ J = $\pm 5\%$ K = $\pm 10\%$ M = $\pm 20\%$	8 = 10 V 4 = 16 V 3 = 25 V 5 = 50 V 1 = 100 V 2 = 200 V A = 250 V	G = C0G	A = N/A	L = SnPb (5% minimum)	Blank = Bulk TU = 7" Reel Unmarked

<sup>1</sup> Additional capacitance tolerance offerings may be available. Contact KEMET for details.

<sup>2</sup> Additional termination finish options may be available. Contact KEMET for details

<sup>3</sup> Additional reeling or packaging options may be available. Contact KEMET for details.

## Dimensions – Millimeters (Inches)



EIA Size Code	Metric Size Code	L Length	W Width	T Thickness	B Bandwidth	S Separation Minimum	Mounting Technique
0402	1005	1.00 (.040) ± 0.05 (.002)	0.50 (.020) ± 0.05 (.002)	See Table 2 for Thickness	0.30 (.012) ± 0.10 (.004)	0.30 (.012)	Solder Reflow Only
0603	1608	1.60 (.063) ± 0.15 (.006)	0.80 (.032) ± 0.15 (.006)		0.35 (.014) ± 0.15 (.006)	0.70 (.028)	Solder Wave or Solder Reflow
0805	2012	2.00 (.079) ± 0.20 (.008)	1.25 (.049) ± 0.20 (.008)		0.50 (0.02) ± 0.25 (.010)	0.75 (.030)	
1206	3216	3.20 (.126) ± 0.20 (.008)	1.60 (.063) ± 0.20 (.008)		0.50 (0.02) ± 0.25 (.010)	N/A	Solder Reflow Only
1210	3225	3.20 (.126) ± 0.20 (.008)	2.50 (.098) ± 0.20 (.008)		0.50 (0.02) ± 0.25 (.010)		
1808	4520	4.70 (.185) ± 0.50 (.020)	2.00 (.079) ± 0.20 (.008)		0.60 (.024) ± 0.35 (.014)		
1812	4532	4.50 (.177) ± 0.30 (.012)	3.20 (.126) ± 0.30 (.012)		0.60 (.024) ± 0.35 (.014)		
1825	4564	4.50 (.177) ± 0.30 (.012)	6.40 (.252) ± 0.40 (.016)		0.60 (.024) ± 0.35 (.014)		
2220	5650	5.70 (.224) ± 0.40 (.016)	5.00 (.197) ± 0.40 (.016)		0.60 (.024) ± 0.35 (.014)		
2225	5664	5.60 (.220) ± 0.40 (.016)	6.40 (.248) ± 0.40 (.016)		0.60 (.024) ± 0.35 (.014)		

## Benefits cont'd

- No piezoelectric noise
- Extremely low ESR and ESL
- High thermal stability
- High ripple current capability
- Preferred capacitance solution at line frequencies and into the MHz range
- Negligible capacitance change with respect to temperature from -55°C to +125°C
- No capacitance change with respect to applied rated DC voltage
- No capacitance decay with time
- Non-polar device, minimizing installation concerns
- SnPb plated termination finish (5% minimum)
- Flexible termination option available upon request
- Available for other surface mount products, additional dielectrics and higher voltage ratings upon request

## Applications

Typical applications include military, aerospace and other high reliability applications.

## Qualification/Certification

Commercial Grade products are subject to internal qualification. Details regarding test methods and conditions are referenced in Table 4, Performance & Reliability.

## Environmental Compliance

These devices do not meet RoHS criteria due to the concentration of Pb containment in the termination finish

## Electrical Parameters/Characteristics

Item	Parameters/Characteristics
Operating Temperature Range	-55°C to +125°C
Capacitance Change with Reference to +25°C and 0 VDC Applied (TCC)	±30 ppm/°C
Aging Rate (Maximum % Capacitance Loss/Decade Hour)	0%
Dielectric Withstanding Voltage (DWV)	250% of rated voltage (5 ±1 seconds and charge/discharge not exceeding 50 mA)
Dissipation Factor (DF) Maximum Limit @ 25°C	0.1%
Insulation Resistance (IR) Limit @ 25°C	1,000 megohm microfarads or 100 GΩ (Rated voltage applied for 120 ±5 seconds @ 25°C)

To obtain IR limit, divide MΩ-μF value by the capacitance and compare to GΩ limit. Select the lower of the two limits.

Capacitance and dissipation factor (DF) measured under the following conditions:

1 MHz ±100 kHz and 1.0 Vrms ± 0.2 V if capacitance ≤ 1,000 pF

1 kHz ±50 Hz and 1.0 Vrms ± 0.2 V if capacitance > 1,000 pF

Note: When measuring capacitance it is important to ensure the set voltage level is held constant. The HP4284 and Agilent E4980 have a feature known as Automatic Level Control (ALC). The ALC feature should be switched to "ON."

## Post Environmental Limits

High Temperature Life, Biased Humidity, Moisture Resistance					
Dielectric	Rated DC Voltage	Capacitance Value	Dissipation Factor (Maximum %)	Capacitance Shift	Insulation Resistance
C0G	All	All	0.5	0.3% or ±0.25 pF	10% of Initial Limit

**Table 1A – Capacitance Range/Selection Waterfall (0402 – 1206 Case Sizes)**

Cap	Cap Code	Case Size/ Series			C0402C								C0603C								C0805C								C1206C							
		Voltage Code			8	4	3	5	1	2	A	8	4	3	5	1	2	A	8	4	3	5	1	2	A	8	4	3	5	1	2	A				
		Rated Voltage (VDC)			10	16	25	50	100	200	250	10	16	25	50	100	200	250	10	16	25	50	100	200	250	10	16	25	50	100	200	250				
		Capacitance Tolerance			Product Availability and Chip Thickness Codes – See Table 2 for Chip Thickness Dimensions																															
0.50 & 0.75 pF	508 & 758	B	C	D	BB	BB	BB	BB	CF	CF	CF	CF	CF	CF	DC	DC	DC	DC	DC	DC	EB	EB	EB	EB	EB	EB										
1.0 – 9.1 pF*	109 – 919*	B	C	D	BB	BB	BB	BB	CF	CF	CF	CF	CF	CF	DC	DC	DC	DC	DC	DC	EB	EB	EB	EB	EB	EB										
10 – 20 pF*	100 – 200*				BB	BB	BB	BB	CF	CF	CF	CF	CF	CF	DC	DC	DC	DC	DC	DC	EB	EB	EB	EB	EB	EB										
22 pF	220				BB	BB	BB	BB	CF	CF	CF	CF	CF	CF	DC	DC	DC	DC	DC	DC	EB	EB	EB	EB	EB	EB										
24 – 91 pF*	240 – 910*				BB	BB	BB	BB	CF	CF	CF	CF	CF	CF	DC	DC	DC	DC	DC	DC	EB	EB	EB	EB	EB	EB										
100 pF	101				BB	BB	BB	BB	BB	BB	BB	BB	CF	CF	CF	CF	CF	CF	DC	DC	DC	DC	DC	DC												
110 – 180 pF*	111 – 181*				BB	BB	BB	BB	BB	BB	BB	BB	CF	CF	CF	CF	CF	CF	DC	DC	DC	DC	DC	DC												
200 pF	201				BB	BB	BB	BB	BB	BB	BB	CF	CF	CF	CF	CF	CF	DC	DC	DC	DC	DC	DC													
220 pF	221				BB	BB	BB	BB	BB	BD	BD	CF	CF	CF	CF	CF	CF	DC	DC	DC	DC	DC	DC													
240 pF	241				BB	BB	BB	BB	BB	BD	BD	CF	CF	CF	CF	CF	CF	DC	DC	DC	DC	DC	DC													
270 pF	271				BB	BB	BB	BB	BB	CF	CF	CF	CF	CF	CF	DC	DC	DC	DC	DC	DC															
300 pF	301				BB	BB	BB	BB	BB	CF	CF	CF	CF	CF	CF	DC	DC	DC	DC	DC	DC															
330 pF	331				BB	BB	BB	BB	BB	CF	CF	CF	CF	CF	CF	DC	DC	DC	DC	DC	DC															
360 pF	361				BB	BB	BB	BB	BB	CF	CF	CF	CF	CF	CF	DC	DC	DC	DC	DC	DC															
390 pF	391				BB	BB	BB	BB	BB	CF	CF	CF	CF	CF	CF	DC	DC	DC	DC	DC	DC															
430 pF	431				BB	BB	BB	BB	BB	CF	CF	CF	CF	CF	CF	DC	DC	DC	DC	DC	DC															
470 pF	471				BB	BB	BB	BB	BB	CF	CF	CF	CF	CF	CF	DC	DC	DC	DC	DC	DC															
510 pF	511				BB	BB	BB	BB	BB	CF	CF	CF	CF	CF	CF	DC	DC	DC	DC	DC	DC															
560 pF	561				BB	BB	BB	BB	BB	CF	CF	CF	CF	CF	CF	DC	DC	DC	DC	DC	DC															
620 pF	621				BB	BB	BB	BB	BB	CF	CF	CF	CF	CF	CF	DC	DC	DC	DC	DC	DC															
680 pF	681				BB	BB	BB	BB	BB	CF	CF	CF	CF	CF	CF	DC	DC	DC	DC	DC	DC															
750 pF	751				BB	BB	BB	BB	BB	CF	CF	CF	CF	CF	CF	DC	DC	DC	DC	DC	DC															
820 pF	821				BB	BB	BB	BB	BB	CF	CF	CF	CF	CF	CH	DC	DC	DC	DC	DC	DC															
910 pF	911				BB	BB	BB	BB	BB	CF	CF	CF	CF	CF	CH	DC	DC	DC	DC	DC	DC															
1,000 pF	102				BB	BB	BB	BB	CF	CF	CF	CF	CF	CH	DC	DC	DC	DC	DC	DC																
1,100 pF	112				BB	BB	BB	BB	CF	CF	CF	CF	CF	CH	DC	DC	DC	DC	DC	DC																
1,200 pF	122				BB	BB	BB	BB	CF	CF	CF	CF	CF	CH	DC	DC	DC	DC	DC	DC																
1,300 pF	132				BB	BB	BB	BB	CF	CF	CF	CF	CF	CH	DC	DC	DC	DC	DC	DC																
1,500 pF	152				BB	BB	BB	BB	CF	CF	CF	CF	CF	CH	DC	DC	DC	DC	DC	DC																
1,600 pF	162				BB	BB	BB	BB	CF	CF	CF	CF	CF	CH	DC	DC	DC	DC	DC	DC																
1,800 pF	182				BB	BB	BB	BB	CF	CF	CF	CF	CF	CH	DC	DC	DC	DC	DC	DC																
2,000 pF	202				BB	BB	BB	BB	CF	CF	CF	CF	CF	CH	DC	DC	DC	DC	DC	DC																
2,200 pF	222				BB	BB	BB	BB	CF	CF	CF	CF	CF	CH	DC	DC	DC	DC	DC	DC																
2,400 pF	242				BB	BB	BB	BB	CF	CF	CF	CF	CF	CH	DC	DC	DC	DC	DC	DC																
2,700 pF	272				BB	BB	BB	BB	CF	CF	CF	CF	CF	CH	DC	DC	DC	DC	DC	DC																
3,000 pF	302				BB	BB	BB	BB	CF	CF	CF	CF	CF	CH	DC	DC	DC	DC	DC	DC																
3,300 pF	332				BB	BB	BB	BB	CF	CF	CF	CF	CF	CH	DC	DC	DC	DC	DC	DC																
3,600 pF	362				BB	BB	BB	BB	CF	CF	CF	CF	CF	CH	DC	DC	DC	DC	DC	DC																
3,900 pF	392				BB	BB	BB	BB	CF	CF	CF	CF	CF	CH	DC	DC	DC	DC	DC	DC																
4,300 pF	432				BB	BB	BB	BB	CF	CF	CF	CF	CF	CH	DC	DC	DC	DC	DC	DC																
4,700 pF	472				BB	BB	BB	BB	CF	CF	CF	CF	CF	CH	DC	DC	DC	DC	DC	DC																
5,100 pF	512				BB	BB	BB	BB	CF	CF	CF	CF	CF	CH	DC	DC	DC	DC	DC	DC																
5,600 pF	562				BB	BB	BB	BB	CF	CF	CF	CF	CF	CH	DC	DC	DC	DC	DC	DC																
6,200 pF	622				BB	BB	BB	BB	CF	CF	CF	CF	CF	CH	DC	DC	DC	DC	DC	DC																
6,800 pF	682				BB	BB	BB	BB	CF	CF	CF	CF	CF	CH	DC	DC	DC	DC	DC	DC																
7,500 pF	752				BB	BB	BB	BB	CF	CF	CF	CF	CF	CH	DC	DC	DC	DC	DC	DC																
8,200 pF	822				BB	BB	BB	BB	CF	CF	CF	CF	CF	CH	DC	DC	DC	DC	DC	DC																
9,100 pF	912				BB	BB	BB	BB	CF	CF	CF	CF	CF	CH	DC	DC	DC	DC	DC	DC																
10,000 pF	103				BB	BB	BB	BB	CF	CF	CF	CF	CF	CH	DC	DC	DC	DC	DC	DC																
12,000 pF	123				BB	BB	BB	BB	CF	CF	CF	CF	CF	CH	DC	DC	DC	DC	DC	DC																
15,000 pF	153				BB	BB	BB	BB	CF	CF	CF	CF	CF	CH	DC	DC	DC	DC	DC	DC																

\*Capacitance range Includes E24 decade values only. (i.e., 10, 11, 12, 13, 15, 16, 18, 20, 22, 24, 27, 30, 33, 36, 39, 43, 47, 51, 56, 62, 68, 75, 82 and 91)  
 KEMET reserves the right to substitute product with an improved temperature characteristic, tighter capacitance tolerance and/or higher voltage capability within the same form factor (configuration and dimensions).  
 These products are protected under US Patents 7,172,985 and 7,670,981, other patents pending, and any foreign counterparts.

**Table 1A – Capacitance Range/Selection Waterfall (0402 – 1206 Case Sizes) cont'd**

Cap	Cap Code	Case Size/ Series	C0402C							C0603C							C0805C							C1206C											
		Voltage Code	8	4	3	5	1	2	A	8	4	3	5	1	2	A	8	4	3	5	1	2	A	8	4	3	5	1	2	A					
		Rated Voltage (VDC)	10	16	25	50	100	200	250	10	16	25	50	100	200	250	10	16	25	50	100	200	250	10	16	25	50	100	200	250					
		Capacitance Tolerance	Product Availability and Chip Thickness Codes – See Table 2 for Chip Thickness Dimensions																																
18,000 pF	183		F	G	J	K	M																					DG	DG	DG	EB	EB	EB	EB	EE
22,000 pF	223		F	G	J	K	M																					DG	DG	DG	EC	EC	EC	EE	EH
27,000 pF	273		F	G	J	K	M																					DG	DG	DG	EC	EC	EC	EE	EH
33,000 pF	333		F	G	J	K	M																								ED	ED	ED	EF	
39,000 pF	393		F	G	J	K	M																								EF	EF	EF	EH	
47,000 pF	473		F	G	J	K	M																								EH	EH	EH	EH	
56,000 pF	563		F	G	J	K	M																								EH	EH	EH	EH	
68,000 pF	683		F	G	J	K	M																								EF	EF	EF	EH	
82,000 pF	823		F	G	J	K	M																								EH	EH	EH	EH	
0.10 µF	104		F	G	J	K	M																								EH	EH	EH		
Cap	Cap Code	Rated Voltage (VDC)	10	16	25	50	100	200	250	10	16	25	50	100	200	250	10	16	25	50	100	200	250	10	16	25	50	100	200	250					
		Voltage Code	8	4	3	5	1	2	A	8	4	3	5	1	2	A	8	4	3	5	1	2	A	8	4	3	5	1	2	A					
		Case Size/Series	C0402C							C0603C							C0805C							C1206C											

**Table 1B – Capacitance Range/Selection Waterfall (1210 – 2225 Case Sizes)**

Cap	Cap Code	Case Size/ Series	C1210C							C1808C				C1812C				C1825C				C2220C				C2225C					
		Voltage Code	8	4	3	5	1	2	A	5	1	2	A	5	1	2	A	5	1	2	A	5	1	2	A	5	1	2	A		
		Rated Voltage (VDC)	10	16	25	50	100	200	250	50	100	200	250	50	100	200	250	50	100	200	250	50	100	200	250	50	100	200	250		
		Capacitance Tolerance	Product Availability and Chip Thickness Codes See Table 2 for Chip Thickness Dimensions																												
1.0 – 9.1 pF*	109 – 919*	B	C	D	F	G	J	K	M	FB	FB	FB	FB	FB	FB																
10 – 91 pF*	100 – 910*				F	G	J	K	M	FB	FB	FB	FB	FB	FB																
100 – 300 pF*	101 – 301*				F	G	J	K	M	FB	FB	FB	FB	FB	FB																
330 – 430 pF*	331 – 431*				F	G	J	K	M	FB	FB	FB	FB	FB	FB					LF	LF	LF									
470 – 910 pF*	471 – 911*				F	G	J	K	M	FB	FB	FB	FB	FB	FB					LF	LF	LF		GB	GB	GB					
1,000 pF	102				F	G	J	K	M	FB	FB	FB	FB	FB	FB					LF	LF	LF		GB	GB	GB					
1,100 pF	112				F	G	J	K	M	FB	FB	FB	FB	FB	FB					LF	LF	LF		GB	GB	GB					
1,200 pF	122				F	G	J	K	M	FB	FB	FB	FB	FB	FB					LF	LF	LF		GB	GB	GB					
1,300 pF	132				F	G	J	K	M	FB	FB	FB	FB	FB	FC					LF	LF	LF		GB	GB	GB					
1,500 pF	152				F	G	J	K	M	FB	FB	FB	FB	FB	FE					LF	LF	LF		GB	GB	GB					
1,600 pF	162				F	G	J	K	M	FB	FB	FB	FB	FB	FE					LF	LF	LF		GB	GB	GB					
1,800 pF	182				F	G	J	K	M	FB	FB	FB	FB	FB	FE					LF	LF	LF		GB	GB	GB					
2,000 pF	202				F	G	J	K	M	FB	FB	FB	FB	FB	FC					LF	LF	LF		GB	GB	GB					
2,200 pF	222				F	G	J	K	M	FB	FB	FB	FB	FB	FC	FG				LF	LF	LF		GB	GB	GB					
2,400 pF	242				F	G	J	K	M	FB	FB	FB	FB	FC	FC					LF	LF	LF									
2,700 pF	272				F	G	J	K	M	FB	FB	FB	FB	FC	FC					LF	LF	LF		GB	GB	GB					
3,000 pF	302				F	G	J	K	M	FB	FB	FB	FB	FC	FF					LF	LF										
3,300 pF	332				F	G	J	K	M	FB	FB	FB	FB	FF	FF					LF	LF			GB	GB	GB					
3,600 pF	362				F	G	J	K	M	FB	FB	FB	FB	FF	FF					LF	LF										
3,900 pF	392				F	G	J	K	M	FB	FB	FB	FB	FF	FF					LF	LF			GB	GB	GB		HB	HB	HB	
Cap	Cap Code	Rated Voltage (VDC)	10	16	25	50	100	200	250	50	100	200	250	50	100	200	250	50	100	200	250	50	100	200	250	50	100	200	250		
		Voltage Code	8	4	3	5	1	2	A	5	1	2	A	5	1	2	A	5	1	2	A	5	1	2	A	5	1	2	A		
		Case Size/Series	C1210C							C1808C				C1812C				C1825C				C2220C				C2225C					

\*Capacitance range Includes E24 decade values only. (i.e., 10, 11, 12, 13, 15, 16, 18, 20, 22, 24, 27, 30, 33, 36, 39, 43, 47, 51, 56, 62, 68, 75, 82 and 91)  
 KEMET reserves the right to substitute product with an improved temperature characteristic, tighter capacitance tolerance and/or higher voltage capability within the same form factor (configuration and dimensions).  
 These products are protected under US Patents 7,172,985 and 7,670,981, other patents pending, and any foreign counterparts.

**Table 1B – Capacitance Range/Selection Waterfall (1210 – 2225 Case Sizes)**

Cap	Cap Code	Case Size/ Series				C1210C				C1808C				C1812C				C1825C				C2220C				C2225C																						
		Voltage Code				8	4	3	5	1	2	A	5	1	2	A	5	1	2	A	5	1	2	A	5	1	2	A	5	1	2	A																
		Rated Voltage (VDC)				10	16	25	50	100	200	250	50	100	200	250	50	100	200	250	50	100	200	250	50	100	200	250	50	100	200	250																
		Capacitance Tolerance				Product Availability and Chip Thickness Codes See Table 2 for Chip Thickness Dimensions																																										
4,300 pF	432			F	G	J	K	M	FB	FB	FB	FB	FF	FF	LF	LF					GB	GB	GD					HB	HB	HB													KE	KE	KE			
4,700 pF	472			F	G	J	K	M	FF	FF	FF	FF	FG	FG	LF	LF					GB	GB	GD					HB	HB	HB													KE	KE	KE			
5,100 pF	512			F	G	J	K	M	FB	FB	FB	FB	FG	FG							GB	GB	GD					HB	HB	HB													KE	KE	KE			
5,600 pF	562			F	G	J	K	M	FB	FB	FB	FB	FG	FG							GB	GB	GH					HB	HB	HB													KE	KE	KE			
6,200 pF	622			F	G	J	K	M	FB	FB	FB	FB	FG	FB							GB	GB	GH					HB	HB	HB													KE	KE	KE			
6,800 pF	682			F	G	J	K	M	FB	FB	FB	FB	FG	FB							GB	GB	GJ					HB	HB	HB					JE	JE	JB	JB	KE	KE	KE							
7,500 pF	752			F	G	J	K	M	FC	FC	FC	FC	FC	FB							GB	GB	GJ					HB	HB	HB					JE	JE	JB	JB	KE	KE	KE							
8,200 pF	822			F	G	J	K	M	FC	FC	FC	FC	FC	FB							GB	GH	GB	GB					HB	HB	HB					JE	JE	JB	JB	KE	KE	KE						
9,100 pF	912			F	G	J	K	M	FE	FE	FE	FE	FE	FB							GB	GH	GB	GB					HB	HB	HE					JE	JE	JB	JB	KE	KE	KE						
10,000 pF	103			F	G	J	K	M	FF	FF	FF	FF	FF	FB							GB	GH	GB	GB					HB	HB	HE					JE	JE	JB	JB	KE	KE	KE						
12,000 pF	123			F	G	J	K	M	FG	FG	FG	FG	FB	FB							GB	GG	GB	GB					HB	HB	HE					JE	JE	JB	JB	KE	KE	KE						
15,000 pF	153			F	G	J	K	M	FG	FG	FG	FG	FB	FC							GB	GB	GB	GB					HB	HB						JE	JE	JB	JB	KE	KE	KE						
18,000 pF	183			F	G	J	K	M	FB	FB	FB	FB	FB	FC							GB	GB	GB	GB					HB	HE						JE	JE	JB	JB	KE	KE							
22,000 pF	223			F	G	J	K	M	FB	FB	FB	FB	FB	FF							GB	GB	GB	GB					HB	HE						JE	JE	JB	JB	KE	KE							
27,000 pF	273			F	G	J	K	M	FB	FB	FB	FB	FB	FG							GB	GB	GB	GB					HB	HG						JE	JB	JB	JB	KE	KE							
33,000 pF	333			F	G	J	K	M	FB	FB	FB	FB	FB	FH							GB	GB	GB	GB									JB	JB	JB	JB	KE											
39,000 pF	393			F	G	J	K	M	FB	FB	FB	FB	FE	FH							GB	GB	GB	GB									JB	JB	JB	JB												
47,000 pF	473			F	G	J	K	M	FB	FB	FB	FB	FE	FJ							GB	GB	GD	GD									JB	JB	JB	JB												
56,000 pF	563			F	G	J	K	M	FB	FB	FB	FB	FF								GB	GB	GD	GD									JB	JB	JB	JB												
68,000 pF	683			F	G	J	K	M	FB	FB	FB	FC	FG								GB	GB	GK	GK									JB	JB	JB	JB												
82,000 pF	823			F	G	J	K	M	FC	FC	FC	FF	FH								GB	GB	GM	GM									JB	JB	JB	JB												
0.10 µF	104			F	G	J	K	M	FE	FE	FE	FG	FM								GB	GD	GM	GM									JB	JB	JD	JD												
0.12 µF	124			F	G	J	K	M	FG	FG	FG	FG	FH								GB	GH											JB	JB	JD	JD												
0.15 µF	154			F	G	J	K	M	FH	FH	FH	FM									GD	GN											JB	JB	JG	JG												
0.18 µF	184			F	G	J	K	M	FJ	FJ	FJ										GH												JB	JD	JG	JG												
0.22 µF	224			F	G	J	K	M	FK	FK	FK										GK												JB	JD	JL	JL												
0.27 µF	274			F	G	J	K	M																									JB	JF														
0.33 µF	334			F	G	J	K	M																									JD	JG														
0.39 µF	394			F	G	J	K	M																									JG															
0.47 µF	474			F	G	J	K	M																									JG															
Cap	Cap Code	Rated Voltage (VDC)				10	16	25	50	100	200	250	50	100	200	250	50	100	200	250	50	100	200	250	50	100	200	250	50	100	200	250	50	100	200	250												
		Voltage Code				8	4	3	5	1	2	A	5	1	2	A	5	1	2	A	5	1	2	A	5	1	2	A	5	1	2	A	5	1	2	A												
		Case Size/Series				C1210C				C1808C				C1812C				C1825C				C2220C				C2225C																						

\*Capacitance range Includes E24 decade values only. (i.e., 10, 11, 12, 13, 15, 16, 18, 20, 22, 24, 27, 30, 33, 36, 39, 43, 47, 51, 56, 62, 68, 75, 82 and 91)  
 KEMET reserves the right to substitute product with an improved temperature characteristic, tighter capacitance tolerance and/or higher voltage capability within the same form factor (configuration and dimensions).  
 These products are protected under US Patents 7,172,985 and 7,670,981, other patents pending, and any foreign counterparts.

**Table 2 – Chip Thickness/Packaging Quantities**

Thickness Code	Case Size	Thickness ± Range (mm)	Paper Quantity		Plastic Quantity	
			7" Reel	13" Reel	7" Reel	13" Reel
BB	0402	0.50 ± 0.05	10,000	50,000	0	0
BD	0402	0.55 ± 0.05	10,000	50,000	0	0
CF	0603	0.80 ± 0.07	4,000	15,000	0	0
CH	0603	0.85 ± 0.07	4,000	15,000	0	0
DC	0805	0.78 ± 0.10	4,000	10,000	0	0
DD	0805	0.90 ± 0.10	4,000	10,000	0	0
DE	0805	1.00 ± 0.10	0	0	2,500	10,000
DF	0805	1.10 ± 0.10	0	0	2,500	10,000
DG	0805	1.25 ± 0.15	0	0	2,500	10,000
EB	1206	0.78 ± 0.10	4,000	10,000	4,000	10,000
EC	1206	0.90 ± 0.10	0	0	4,000	10,000
ED	1206	1.00 ± 0.10	0	0	2,500	10,000
EE	1206	1.10 ± 0.10	0	0	2,500	10,000
EF	1206	1.20 ± 0.15	0	0	2,500	10,000
EH	1206	1.60 ± 0.20	0	0	2,000	8,000
FB	1210	0.78 ± 0.10	0	0	4,000	10,000
FC	1210	0.90 ± 0.10	0	0	4,000	10,000
FE	1210	1.00 ± 0.10	0	0	2,500	10,000
FF	1210	1.10 ± 0.10	0	0	2,500	10,000
FG	1210	1.25 ± 0.15	0	0	2,500	10,000
FH	1210	1.55 ± 0.15	0	0	2,000	8,000
FM	1210	1.70 ± 0.20	0	0	2,000	8,000
FJ	1210	1.85 ± 0.20	0	0	2,000	8,000
FK	1210	2.10 ± 0.20	0	0	2,000	8,000
NC	1706	1.00 ± 0.15	0	0	4,000	10,000
LF	1808	1.00 ± 0.15	0	0	2,500	10,000
GB	1812	1.00 ± 0.10	0	0	1,000	4,000
GD	1812	1.25 ± 0.15	0	0	1,000	4,000
GH	1812	1.40 ± 0.15	0	0	1,000	4,000
GG	1812	1.55 ± 0.10	0	0	1,000	4,000
GK	1812	1.60 ± 0.20	0	0	1,000	4,000
GJ	1812	1.70 ± 0.15	0	0	1,000	4,000
GN	1812	1.70 ± 0.20	0	0	1,000	4,000
GM	1812	2.00 ± 0.20	0	0	500	2,000
HB	1825	1.10 ± 0.15	0	0	1,000	4,000
HE	1825	1.40 ± 0.15	0	0	1,000	4,000
HG	1825	1.60 ± 0.20	0	0	1,000	4,000
JB	2220	1.00 ± 0.15	0	0	1,000	4,000
JD	2220	1.30 ± 0.15	0	0	1,000	4,000
JE	2220	1.40 ± 0.15	0	0	1,000	4,000
JF	2220	1.50 ± 0.15	0	0	1,000	4,000
JG	2220	1.70 ± 0.15	0	0	1,000	4,000
JL	2220	2.00 ± 0.20	0	0	500	2,000
KE	2225	1.40 ± 0.15	0	0	1,000	4,000
Thickness Code	Case Size	Thickness ± Range (mm)	7" Reel	13" Reel	7" Reel	13" Reel
			Paper Quantity		Plastic Quantity	

Package quantity based on finished chip thickness specifications.



**Table 3 – Chip Capacitor Land Pattern Design Recommendations per IPC–7351**

EIA Size Code	Metric Size Code	Density Level A: Maximum (Most) Land Protrusion (mm)					Density Level B: Median (Nominal) Land Protrusion (mm)					Density Level C: Minimum (Least) Land Protrusion (mm)				
		C	Y	X	V1	V2	C	Y	X	V1	V2	C	Y	X	V1	V2
0402	1005	0.50	0.72	0.72	2.20	1.20	0.45	0.62	0.62	1.90	1.00	0.40	0.52	0.52	1.60	0.80
0603	1608	0.90	1.15	1.10	4.00	2.10	0.80	0.95	1.00	3.10	1.50	0.60	0.75	0.90	2.40	1.20
0805	2012	1.00	1.35	1.55	4.40	2.60	0.90	1.15	1.45	3.50	2.00	0.75	0.95	1.35	2.80	1.70
1206	3216	1.60	1.35	1.90	5.60	2.90	1.50	1.15	1.80	4.70	2.30	1.40	0.95	1.70	4.00	2.00
1210	3225	1.60	1.35	2.80	5.65	3.80	1.50	1.15	2.70	4.70	3.20	1.40	0.95	2.60	4.00	2.90
1210 <sup>1</sup>	3225	1.50	1.60	2.90	5.60	3.90	1.40	1.40	2.80	4.70	3.30	1.30	1.20	2.70	4.00	3.00
1808	4520	2.30	1.75	2.30	7.40	3.30	2.20	1.55	2.20	6.50	2.70	2.10	1.35	2.10	5.80	2.40
1812	4532	2.15	1.60	3.60	6.90	4.60	2.05	1.40	3.50	6.00	4.00	1.95	1.20	3.40	5.30	3.70
1825	4564	2.15	1.60	6.90	6.90	7.90	2.05	1.40	6.80	6.00	7.30	1.95	1.20	6.70	5.30	7.00
2220	5650	2.75	1.70	5.50	8.20	6.50	2.65	1.50	5.40	7.30	5.90	2.55	1.30	5.30	6.60	5.60
2225	5664	2.70	1.70	6.90	8.10	7.90	2.60	1.50	6.80	7.20	7.30	2.50	1.30	6.70	6.50	7.00

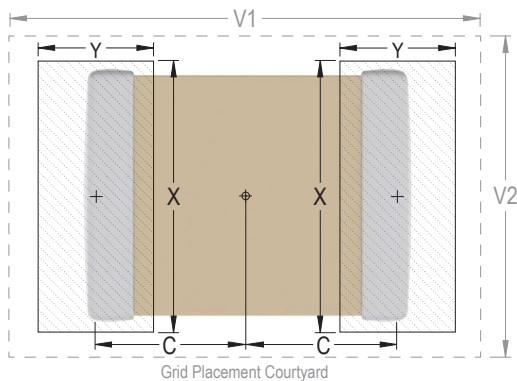
<sup>1</sup> Only for capacitance values  $\geq 22 \mu\text{F}$

**Density Level A:** For low-density product applications. Recommended for wave solder applications and provides a wider process window for reflow solder processes. KEMET only recommends wave soldering of EIA 0603, 0805 and 1206 case sizes.

**Density Level B:** For products with a moderate level of component density. Provides a robust solder attachment condition for reflow solder processes.

**Density Level C:** For high component density product applications. Before adapting the minimum land pattern variations the user should perform qualification testing based on the conditions outlined in IPC Standard 7351 (IPC–7351).

Image below based on Density Level B for an EIA 1210 case size.





## Soldering Process

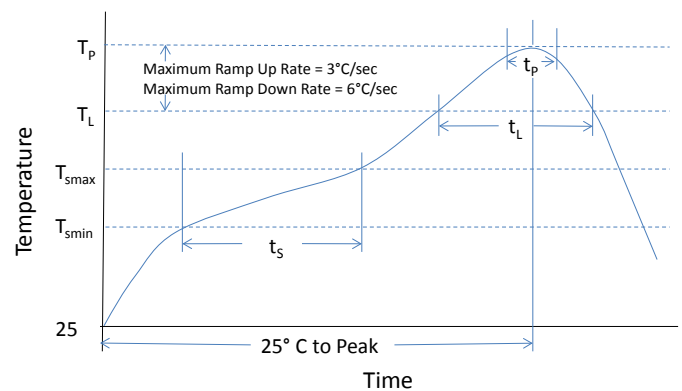
### Recommended Soldering Technique:

- Solder wave or solder reflow for EIA case sizes 0603, 0805 and 1206
- All other EIA case sizes are limited to solder reflow only

### Recommended Reflow Soldering Profile:

KEMET's families of surface mount multilayer ceramic capacitors (SMD MLCCs) are compatible with wave (single or dual), convection, IR or vapor phase reflow techniques. Preheating of these components is recommended to avoid extreme thermal stress. KEMET's recommended profile conditions for convection and IR reflow reflect the profile conditions of the IPC/J-STD-020 standard for moisture sensitivity testing. These devices can safely withstand a maximum of three reflow passes at these conditions.

Profile Feature	Termination Finish	
	SnPb	100% Matte Sn
<b>Preheat/Soak</b>		
Temperature Minimum ( $T_{Smin}$ )	100°C	150°C
Temperature Maximum ( $T_{Smax}$ )	150°C	200°C
Time ( $t_s$ ) from $T_{Smin}$ to $T_{Smax}$	60 – 120 seconds	60 – 120 seconds
Ramp-Up Rate ( $T_L$ to $T_p$ )	3°C/second maximum	3°C/second maximum
Liquidous Temperature ( $T_L$ )	183°C	217°C
Time Above Liquidous ( $t_L$ )	60 – 150 seconds	60 – 150 seconds
Peak Temperature ( $T_p$ )	235°C	260°C
Time Within 5°C of Maximum Peak Temperature ( $t_p$ )	20 seconds maximum	30 seconds maximum
Ramp-Down Rate ( $T_p$ to $T_L$ )	6°C/second maximum	6°C/second maximum
Time 25°C to Peak Temperature	6 minutes maximum	8 minutes maximum



Note 1: All temperatures refer to the center of the package, measured on the capacitor body surface that is facing up during assembly reflow.

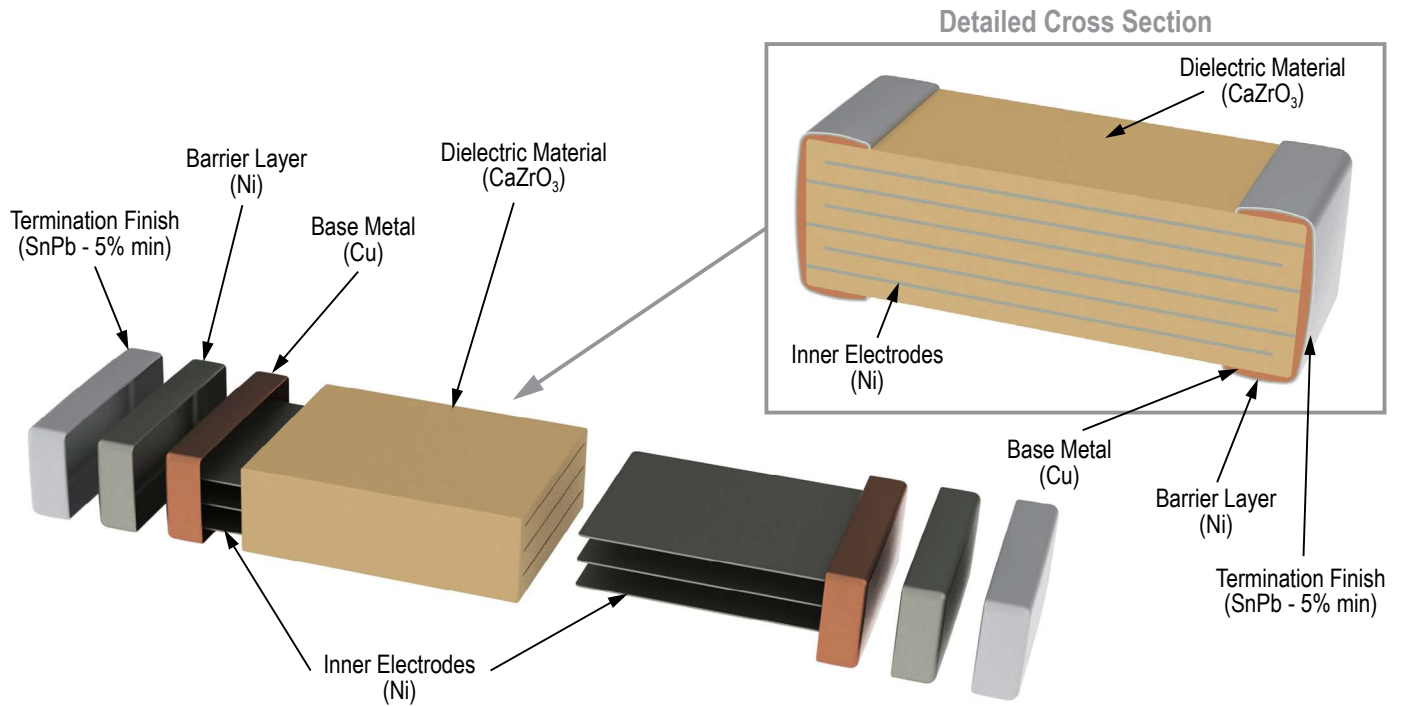
**Table 4 – Performance & Reliability: Test Methods and Conditions**

Stress	Reference	Test or Inspection Method
Terminal Strength	JIS-C-6429	Appendix 1, Note: Force of 1.8 kg for 60 seconds.
Board Flex	JIS-C-6429	Appendix 2, Note: Standard termination system – 2.0 mm (minimum) for all except 3 mm for C0G. Flexible termination system – 3.0 mm (minimum).
Solderability	J-STD-002	Magnification 50 X. Conditions:
		a) Method B, 4 hours @ 155°C, dry heat @ 235°C
		b) Method B @ 215°C category 3
		c) Method D, category 3 @ 260°C
Temperature Cycling	JESD22 Method JA-104	1,000 Cycles (-55°C to +125°C). Measurement at 24 hours +/- 2 hours after test conclusion.
Biased Humidity	MIL-STD-202 Method 103	Load Humidity: 1,000 hours 85°C/85% RH and rated voltage. Add 100 K ohm resistor. Measurement at 24 hours +/- 2 hours after test conclusion.
		Low Volt Humidity: 1,000 hours 85°C/85% RH and 1.5 V. Add 100 K ohm resistor. Measurement at 24 hours +/- 2 hours after test conclusion.
Moisture Resistance	MIL-STD-202 Method 106	t = 24 hours/cycle. Steps 7a and 7b not required. Unpowered. Measurement at 24 hours +/- 2 hours after test conclusion.
Thermal Shock	MIL-STD-202 Method 107	-55°C/+125°C. Note: Number of cycles required – 300, maximum transfer time – 20 seconds, dwell time – 15 minutes. Air – Air.
High Temperature Life	MIL-STD-202 Method 108 /EIA-198	1,000 hours at 125°C (85°C for X5R, Z5U and Y5V) with 2 X rated voltage applied.
Storage Life	MIL-STD-202 Method 108	150°C, 0 VDC for 1,000 hours.
Vibration	MIL-STD-202 Method 204	5 g's for 20 min., 12 cycles each of 3 orientations. Note: Use 8" X 5" PCB 0.031" thick 7 secure points on one long side and 2 secure points at corners of opposite sides. Parts mounted within 2" from any secure point. Test from 10 – 2,000 Hz
Mechanical Shock	MIL-STD-202 Method 213	Figure 1 of Method 213, Condition F.
Resistance to Solvents	MIL-STD-202 Method 215	Add aqueous wash chemical, OKEM Clean or equivalent.

## Storage and Handling

Ceramic chip capacitors should be stored in normal working environments. While the chips themselves are quite robust in other environments, solderability will be degraded by exposure to high temperatures, high humidity, corrosive atmospheres, and long term storage. In addition, packaging materials will be degraded by high temperature– reels may soften or warp and tape peel force may increase. KEMET recommends that maximum storage temperature not exceed 40°C and maximum storage humidity not exceed 70% relative humidity. Temperature fluctuations should be minimized to avoid condensation on the parts and atmospheres should be free of chlorine and sulfur bearing compounds. For optimized solderability chip stock should be used promptly, preferably within 1.5 years of receipt.

## Construction



## Capacitor Marking (Optional):

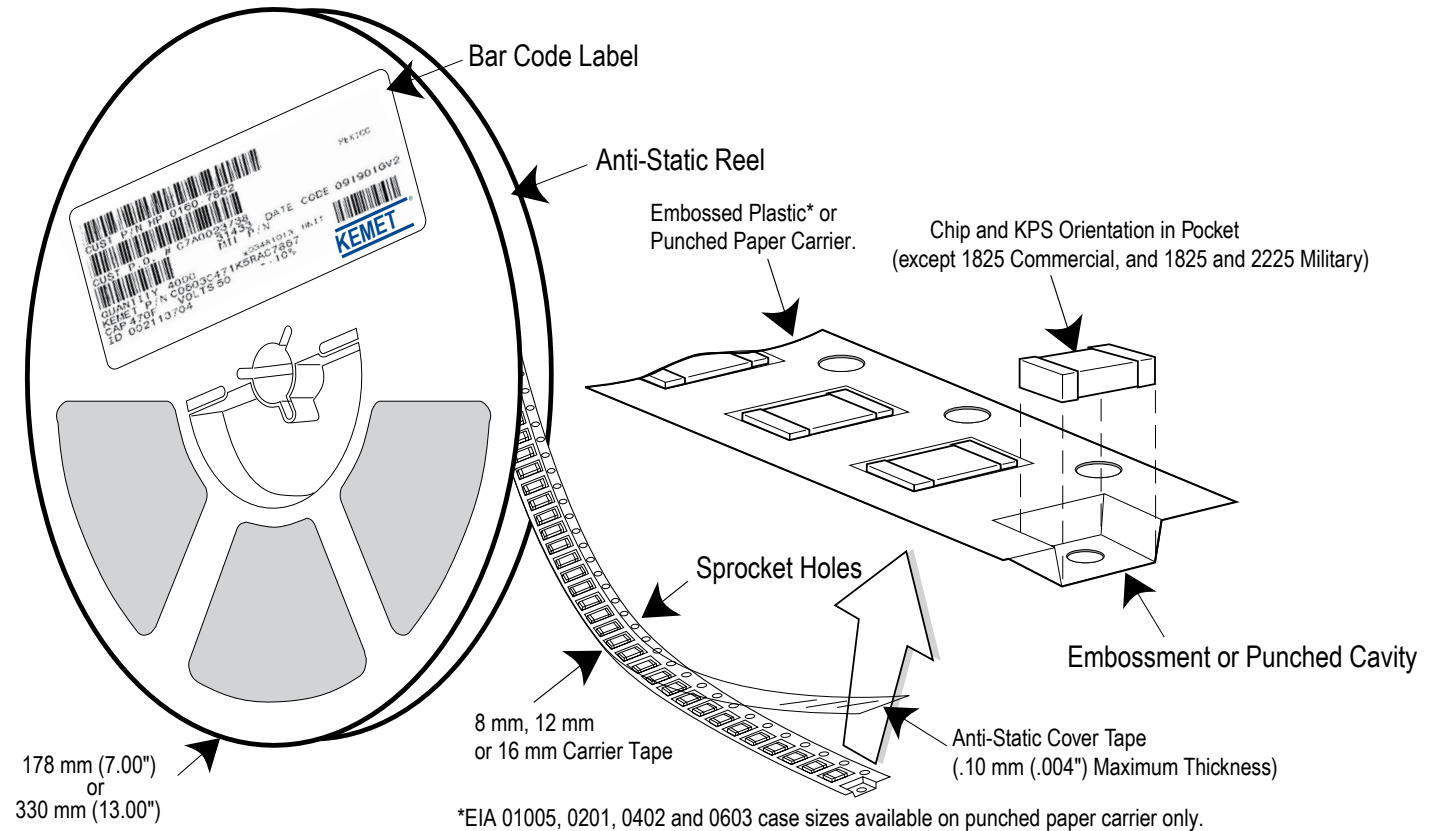
Laser marking option is not available on:

- COG, Ultra Stable X8R and Y5V dielectric devices
- EIA 0402 case size devices
- EIA 0603 case size devices with Flexible Termination option.
- KPS Commercial and Automotive grade stacked devices.

These capacitors are supplied unmarked only.

## Tape & Reel Packaging Information

KEMET offers multilayer ceramic chip capacitors packaged in 8, 12 and 16 mm tape on 7" and 13" reels in accordance with EIA Standard 481. This packaging system is compatible with all tape-fed automatic pick and place systems. See Table 2 for details on reeling quantities for commercial chips.



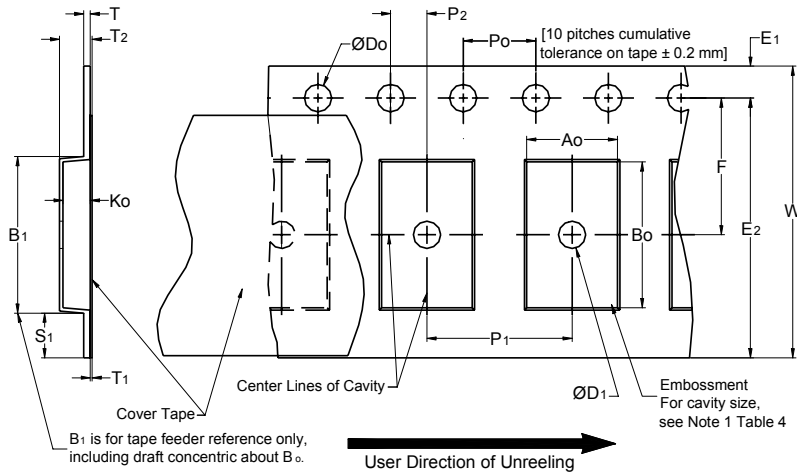
**Table 5 – Carrier Tape Configuration – Embossed Plastic & Punched Paper (mm)**

EIA Case Size	Tape Size (W)*	Pitch (P <sub>1</sub> )*
01005 – 0402	8	2
0603 – 1210	8	4
1805 – 1808	12	4
≥ 1812	12	8
KPS 1210	12	8
KPS 1812 & 2220	16	12
Array 0508 & 0612	8	4

\*Refer to Figures 1 & 2 for W and P<sub>1</sub> carrier tape reference locations.

\*Refer to Tables 6 & 7 for tolerance specifications.

**Figure 1 – Embossed (Plastic) Carrier Tape Dimensions**



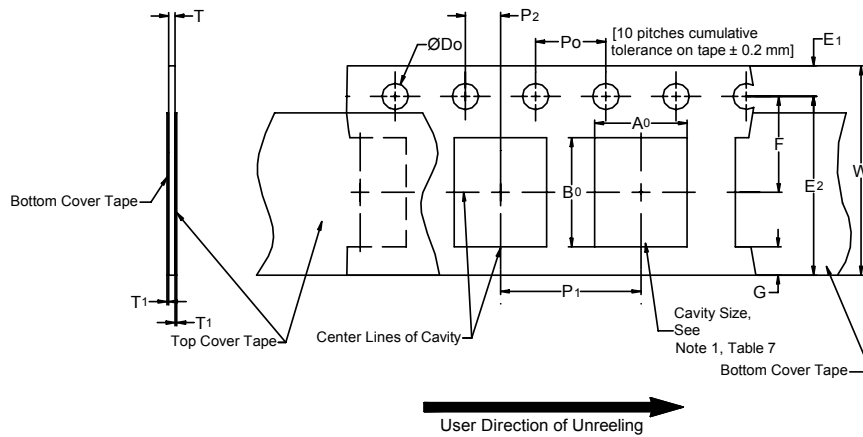
**Table 6 – Embossed (Plastic) Carrier Tape Dimensions**

Metric will govern

Constant Dimensions — Millimeters (Inches)									
Tape Size	D <sub>0</sub>	D <sub>1</sub> Minimum Note 1	E <sub>1</sub>	P <sub>0</sub>	P <sub>2</sub>	R Reference Note 2	S <sub>1</sub> Minimum Note 3	T Maximum	T <sub>1</sub> Maximum
8 mm	1.5 +0.10/-0.0 (0.059 +0.004/-0.0)	1.0 (0.039)	1.75 ±0.10 (0.069 ±0.004)	4.0 ±0.10 (0.157 ±0.004)	2.0 ±0.05 (0.079 ±0.002)	25.0 (0.984)	0.600 (0.024)	0.600 (0.024)	0.100 (0.004)
12 mm		1.5 (0.059)				30 (1.181)			
16 mm									
Variable Dimensions — Millimeters (Inches)									
Tape Size	Pitch	B <sub>1</sub> Maximum Note 4	E <sub>2</sub> Minimum	F	P <sub>1</sub>	T <sub>2</sub> Maximum	W Maximum	A <sub>0</sub> , B <sub>0</sub> & K <sub>0</sub>	
8 mm	Single (4 mm)	4.35 (0.171)	6.25 (0.246)	3.5 ±0.05 (0.138 ±0.002)	4.0 ±0.10 (0.157 ±0.004)	2.5 (0.098)	8.3 (0.327)	Note 5	
12 mm	Single (4 mm) & Double (8 mm)	8.2 (0.323)	10.25 (0.404)	5.5 ±0.05 (0.217 ±0.002)	8.0 ±0.10 (0.315 ±0.004)	4.6 (0.181)	12.3 (0.484)		
16 mm	Triple (12 mm)	12.1 (0.476)	14.25 (0.561)	7.5 ±0.05 (0.138 ±0.002)	12.0 ±0.10 (0.157 ±0.004)	4.6 (0.181)	16.3 (0.642)		

- The embossment hole location shall be measured from the sprocket hole controlling the location of the embossment. Dimensions of embossment location and hole location shall be applied independent of each other.
- The tape with or without components shall pass around R without damage (see Figure 6).
- If S<sub>1</sub> < 1.0 mm, there may not be enough area for cover tape to be properly applied (see EIA Standard 481 paragraph 4.3 section b).
- B<sub>1</sub> dimension is a reference dimension for tape feeder clearance only.
- The cavity defined by A<sub>0</sub>, B<sub>0</sub> and K<sub>0</sub> shall surround the component with sufficient clearance that:
  - the component does not protrude above the top surface of the carrier tape.
  - the component can be removed from the cavity in a vertical direction without mechanical restriction, after the top cover tape has been removed.
  - rotation of the component is limited to 20° maximum for 8 and 12 mm tapes and 10° maximum for 16 mm tapes (see Figure 3).
  - lateral movement of the component is restricted to 0.5 mm maximum for 8 and 12 mm wide tape and to 1.0 mm maximum for 16 mm tape (see Figure 4).
  - for KPS Series product, A<sub>0</sub> and B<sub>0</sub> are measured on a plane 0.3 mm above the bottom of the pocket.
  - see Addendum in EIA Standard 481 for standards relating to more precise taping requirements.

**Figure 2 – Punched (Paper) Carrier Tape Dimensions**



**Table 7 – Punched (Paper) Carrier Tape Dimensions**

Metric will govern

Constant Dimensions — Millimeters (Inches)							
Tape Size	$D_0$	$E_1$	$P_0$	$P_2$	$T_1$ Maximum	G Minimum	R Reference Note 2
8 mm	$1.5 +0.10 -0.0$ (0.059 +0.004 -0.0)	$1.75 \pm 0.10$ (0.069 ±0.004)	$4.0 \pm 0.10$ (0.157 ±0.004)	$2.0 \pm 0.05$ (0.079 ±0.002)	0.10 (0.004) Maximum	0.75 (0.030)	25 (0.984)
Variable Dimensions — Millimeters (Inches)							
Tape Size	Pitch	E2 Minimum	F	$P_1$	T Maximum	W Maximum	$A_0 B_0$
8 mm	Half (2 mm)	6.25 (0.246)	$3.5 \pm 0.05$ (0.138 ±0.002)	$2.0 \pm 0.05$ (0.079 ±0.002)	1.1 (0.098)	8.3 (0.327)	Note 1
8 mm	Single (4 mm)			$4.0 \pm 0.10$ (0.157 ±0.004)			

- The cavity defined by  $A_0$ ,  $B_0$  and  $T$  shall surround the component with sufficient clearance that:
  - the component does not protrude beyond either surface of the carrier tape.
  - the component can be removed from the cavity in a vertical direction without mechanical restriction, after the top cover tape has been removed.
  - rotation of the component is limited to 20° maximum (see Figure 3).
  - lateral movement of the component is restricted to 0.5 mm maximum (see Figure 4).
  - see Addendum in EIA Standard 481 for standards relating to more precise taping requirements.
- The tape with or without components shall pass around R without damage (see Figure 6).

## Packaging Information Performance Notes

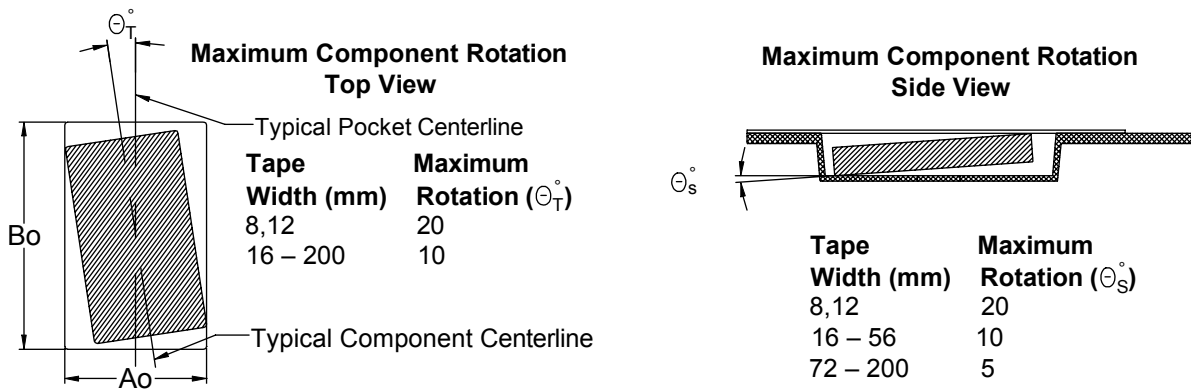
- 1. Cover Tape Break Force:** 1.0 Kg minimum.
- 2. Cover Tape Peel Strength:** The total peel strength of the cover tape from the carrier tape shall be:

Tape Width	Peel Strength
8 mm	0.1 to 1.0 Newton (10 to 100 gf)
12 and 16 mm	0.1 to 1.3 Newton (10 to 130 gf)

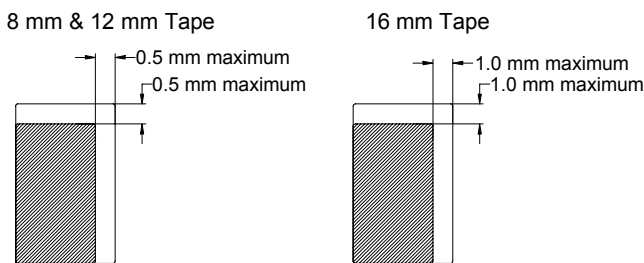
The direction of the pull shall be opposite the direction of the carrier tape travel. The pull angle of the carrier tape shall be 165° to 180° from the plane of the carrier tape. During peeling, the carrier and/or cover tape shall be pulled at a velocity of 300 ±10 mm/minute.

- 3. Labeling:** Bar code labeling (standard or custom) shall be on the side of the reel opposite the sprocket holes. Refer to EIA Standards 556 and 624.

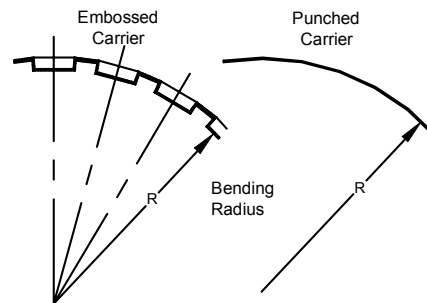
### Figure 3 – Maximum Component Rotation



### Figure 4 – Maximum Lateral Movement

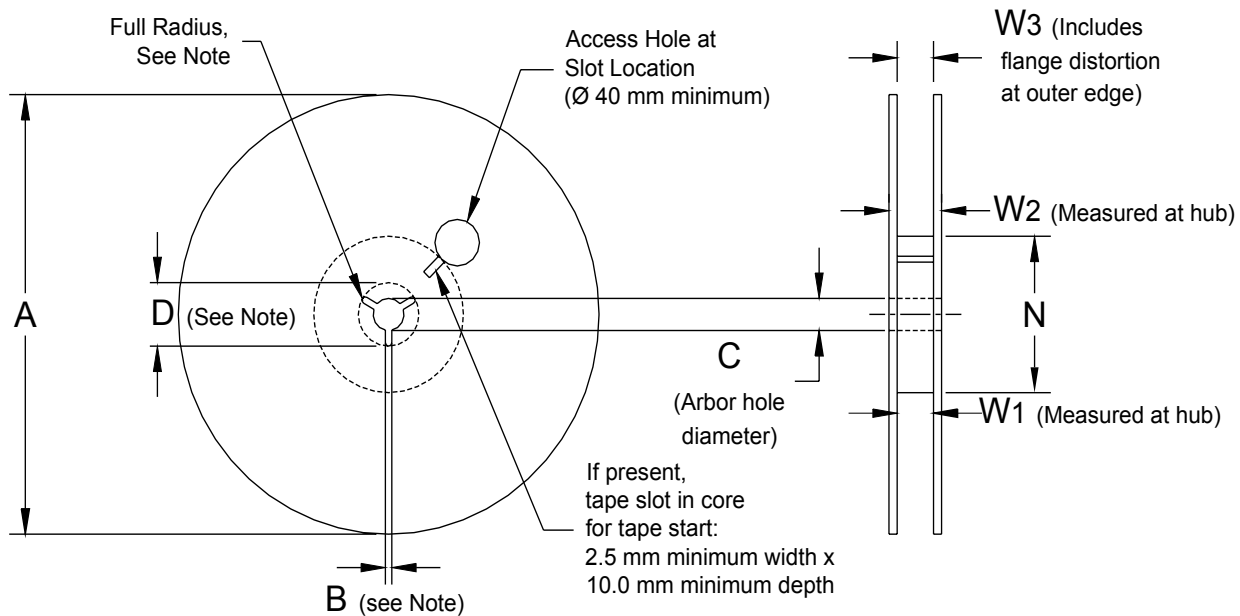


### Figure 5 – Bending Radius





**Figure 6 – Reel Dimensions**



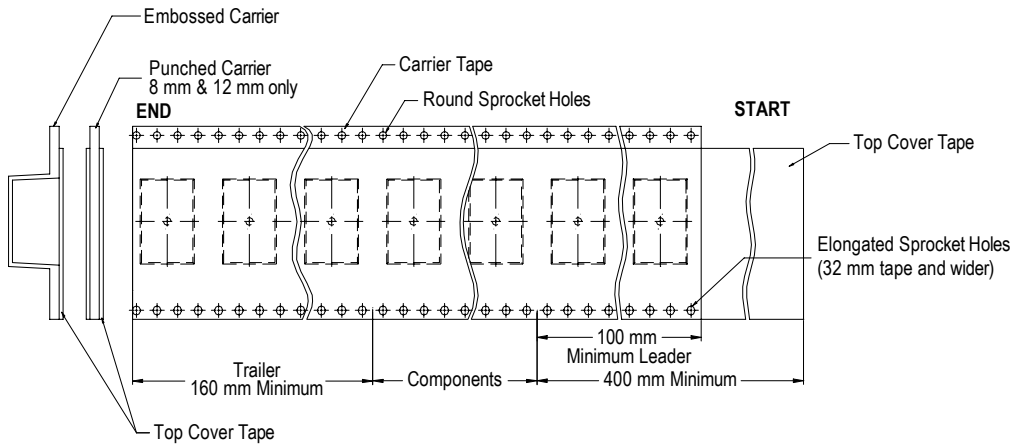
Note: Drive spokes optional; if used, dimensions B and D shall apply.

**Table 8 – Reel Dimensions**

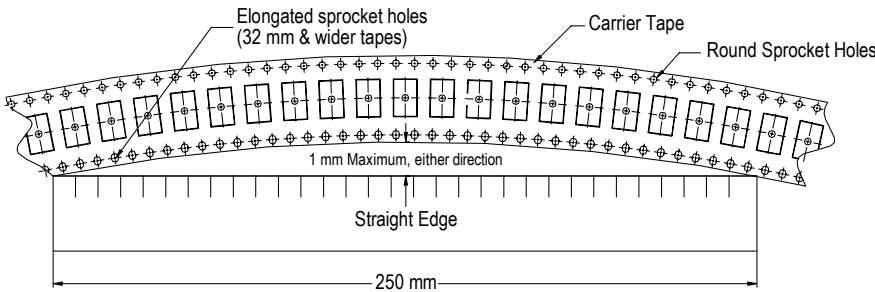
Metric will govern

Constant Dimensions — Millimeters (Inches)				
Tape Size	A	B Minimum	C	D Minimum
8 mm	178 ±0.20 (7.008 ±0.008) or 330 ±0.20 (13.000 ±0.008)	1.5 (0.059)	13.0 +0.5/-0.2 (0.521 +0.02/-0.008)	20.2 (0.795)
12 mm				
16 mm				
Variable Dimensions — Millimeters (Inches)				
Tape Size	N Minimum	W <sub>1</sub>	W <sub>2</sub> Maximum	W <sub>3</sub>
8 mm	50 (1.969)	8.4 +1.5/-0.0 (0.331 +0.059/-0.0)	14.4 (0.567)	Shall accommodate tape width without interference
12 mm		12.4 +2.0/-0.0 (0.488 +0.078/-0.0)	18.4 (0.724)	
16 mm		16.4 +2.0/-0.0 (0.646 +0.078/-0.0)	22.4 (0.882)	

**Figure 7 – Tape Leader & Trailer Dimensions**



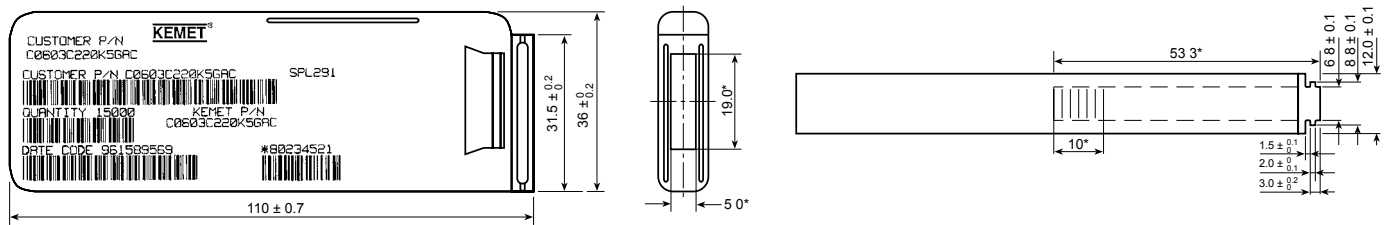
**Figure 8 – Maximum Camber**



**Bulk Cassette Packaging (Ceramic Chips Only)**

Meets Dimensional Requirements IEC-286 and EIAJ 7201

Unit mm \*Reference



**Capacitor Dimensions for Bulk Cassette**

Cassette Packaging – Millimeters

EIA Size Code	Metric Size Code	L Length	W Width	B Bandwidth	S Separation Minimum	T Thickness	Number of Pieces/Cassette
0402	1005	1.0 ± 0.05	0.5 ± 0.05	0.2 to 0.4	0.3	0.5 ± 0.05	50,000
0603	1608	1.6 ± 0.07	0.8 ± 0.07	0.2 to 0.5	0.7	0.8 ± 0.07	15,000

## KEMET Corporation World Headquarters

2835 KEMET Way  
Simpsonville, SC 29681

Mailing Address:  
P.O. Box 5928  
Greenville, SC 29606

www.kemet.com  
Tel: 864-963-6300  
Fax: 864-963-6521

**Corporate Offices**  
Fort Lauderdale, FL  
Tel: 954-766-2800

## North America

**Southeast**  
Lake Mary, FL  
Tel: 407-855-8886

**Northeast**  
Wilmington, MA  
Tel: 978-658-1663

**Central**  
Novi, MI  
Tel: 248-306-9353

**West**  
Milpitas, CA  
Tel: 408-433-9950

**Mexico**  
Guadalajara, Jalisco  
Tel: 52-33-3123-2141

## Europe

**Southern Europe**  
Paris, France  
Tel: 33-1-4646-1006

Sasso Marconi, Italy  
Tel: 39-051-939111

**Central Europe**  
Landsberg, Germany  
Tel: 49-8191-3350800

Kamen, Germany  
Tel: 49-2307-438110

**Northern Europe**  
Bishop's Stortford, United Kingdom  
Tel: 44-1279-460122

Espoo, Finland  
Tel: 358-9-5406-5000

## Asia

**Northeast Asia**  
Hong Kong  
Tel: 852-2305-1168

Shenzhen, China  
Tel: 86-755-2518-1306

Beijing, China  
Tel: 86-10-5829-1711

Shanghai, China  
Tel: 86-21-6447-0707

Taipei, Taiwan  
Tel: 886-2-27528585

**Southeast Asia**  
Singapore  
Tel: 65-6586-1900

Penang, Malaysia  
Tel: 60-4-6430200

Bangalore, India  
Tel: 91-806-53-76817

*Note: KEMET reserves the right to modify minor details of internal and external construction at any time in the interest of product improvement. KEMET does not assume any responsibility for infringement that might result from the use of KEMET Capacitors in potential circuit designs. KEMET is a registered trademark of KEMET Electronics Corporation.*

## Disclaimer

All product specifications, statements, information and data (collectively, the "Information") in this datasheet are subject to change. The customer is responsible for checking and verifying the extent to which the Information contained in this publication is applicable to an order at the time the order is placed.

All Information given herein is believed to be accurate and reliable, but it is presented without guarantee, warranty, or responsibility of any kind, expressed or implied.

Statements of suitability for certain applications are based on KEMET Electronics Corporation's ("KEMET") knowledge of typical operating conditions for such applications, but are not intended to constitute – and KEMET specifically disclaims – any warranty concerning suitability for a specific customer application or use. The Information is intended for use only by customers who have the requisite experience and capability to determine the correct products for their application. Any technical advice inferred from this Information or otherwise provided by KEMET with reference to the use of KEMET's products is given gratis, and KEMET assumes no obligation or liability for the advice given or results obtained.

Although KEMET designs and manufactures its products to the most stringent quality and safety standards, given the current state of the art, isolated component failures may still occur. Accordingly, customer applications which require a high degree of reliability or safety should employ suitable designs or other safeguards (such as installation of protective circuitry or redundancies) in order to ensure that the failure of an electrical component does not result in a risk of personal injury or property damage.

Although all product-related warnings, cautions and notes must be observed, the customer should not assume that all safety measures are indicated or that other measures may not be required.