

# "RAPID" Series, Quick Disconnect

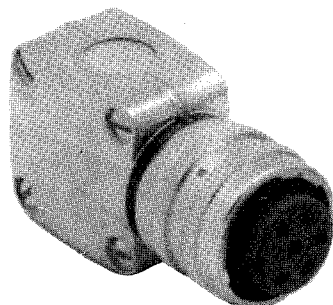
## PIN INSERT RECEPTACLES, SOCKET INSERT PLUGS AND CABLE CONNECTING PLUGS, PIN INSERT

(100 °C) 212 °F

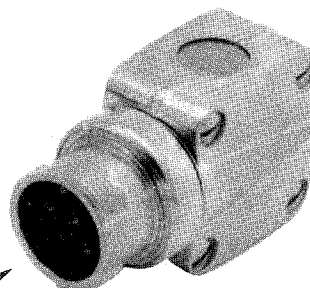
I.P. 50

I.P. 54 <sup>(1)</sup>

Socket insert plug

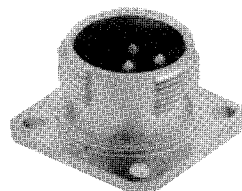


Cable connecting plug, pin insert



**NEW**  
**SECURE CONNECTORS**  
for shell size 1 and 2  
(refer to page 32)

Pin insert receptacle



Available with **3-4-6-8-12** or **17 contacts**

### PART NUMBERS

Shell size	Contacts				Pin insert receptacle	Socket insert plug	Cable connecting plug, pin insert	Cable-Clamp** P. 29
	Number	Diameter						
		(Ø 2 mm) .079 dia.	(Ø 3 mm) .118 dia.	(Ø 4 mm) .157 dia.				
1	<b>3</b>	1	2		<b>5360 030 06</b>	<b>5320 030 06</b>	<b>5321 030 06</b>	<b>6301 350 06</b>
1	<b>4</b>	4			<b>5360 040 06</b>	<b>5320 040 06</b>	<b>5321 040 06</b>	<b>6301 350 06</b>
1	<b>6</b>	6			<b>5360 060 06</b>	<b>5320 060 06</b>	<b>5321 060 06</b>	<b>6301 350 06</b>
2	<b>4*</b>			4	<b>5337 550 06</b>	<b>5307 550 06</b>	<b>5307 520 06</b>	<b>6301 380 06</b>
2	<b>8</b>	6	2		<b>5360 080 06</b>	<b>5320 080 06</b>	<b>5321 080 06</b>	<b>6301 380 06</b>
2	<b>12</b>	12			<b>5360 120 06</b>	<b>5320 120 06</b>	<b>5321 120 06</b>	<b>6301 380 06</b>
3	<b>17<sup>(2)</sup></b>	15	2		<b>5363 670 06</b>	<b>5323 670 06</b>	<b>5301 170 06</b>	<b>6301 550 06</b>

\*\* Cable-clamp (as required), refer to page 29.

**Other accessories :** connection, sealing, protection, fixing... (pages 29 to 34).

### FEATURES - INSTALLATION

Operating temperature range : (- 50 °C to + 100 °C) – 58 °F to + 212 °F (500 hours at (125 °C) 257 °F).

Electrical data (page 2).

Quick connection of the plug by a spring-loaded coupling system (1/6 turn).

(2) The 17 contact receptacles and cable connecting plugs are not threaded and cannot therefore be mated with socket insert plugs of the Standard or Weatherproof series.

Mounting contact arrangement and dimensions (pages 3, 4 and 19).

\* **Note :** The No. 4 contact of the plug Part No. **5307 550 06**, establishing an electrical liaison before the three other contacts and breaking it after they are uncoupled, can be used for earthing purposes (Specification UTE C 15-100).

(1) I.P. 54. With potting compound into the Shell and gasket under receptacle.

# "RAPID" Series, Quick Disconnect

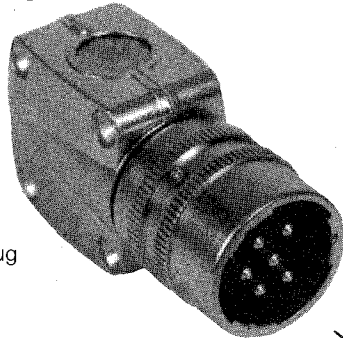
## SOCKET INSERT RECEPTACLES, PIN INSERT PLUGS AND CABLE CONNECTING PLUGS, SOCKET INSERT

(100 °C) 212 °F

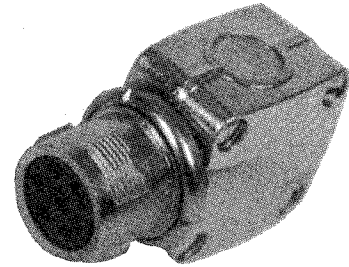
I.P. 50

I.P. 54 <sup>(1)</sup>

Pin insert plug

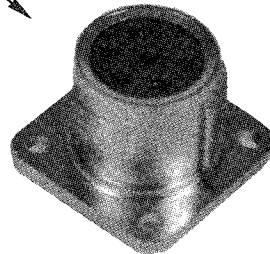


Cable connecting plug, socket insert



**NEW**  
**SECURE CONNECTORS**  
for shell size 1 and 2  
(refer to page 32)

Socket insert receptacle



Available with **3-4-6-8-12** or **17 contacts**

### PART NUMBERS

Shell size	Contacts				Socket insert receptacle	Pin insert plug	Cable connecting plug, socket insert	Cable-Clamp** P. 29
	Number	Diameter						
		(Ø 2 mm) .079 dia.	(Ø 3 mm) .118 dia.	(Ø 4 mm) .157 dia.				
1	<b>3</b>	1	2		<b>5366 030 06</b>	<b>5326 530 06</b>	<b>5301 530 06</b>	<b>6301 350 06</b>
1	<b>4</b>	4			<b>5366 040 06</b>	<b>5326 540 06</b>	<b>5301 540 06</b>	<b>6301 350 06</b>
1	<b>6</b>	6			<b>5366 060 06</b>	<b>5326 560 06</b>	<b>5301 560 06</b>	<b>6301 350 06</b>
2	<b>4*</b>			4	<b>5337 600 06</b>	<b>5307 540 06</b>	<b>5307 530 06</b>	<b>6301 380 06</b>
2	<b>8</b>	6	2		<b>5366 080 06</b>	<b>5326 580 06</b>	<b>5301 580 06</b>	<b>6301 380 06</b>
2	<b>12</b>	12			<b>5366 120 06</b>	<b>5326 620 06</b>	<b>5301 620 06</b>	<b>6301 380 06</b>
3	<b>17</b>	15	2		<b>5363 680 06</b>	<b>5323 680 06</b>	<b>5301 670 06</b>	<b>6301 550 06</b>

\*\* Cable-clamp (as required), refer to page 29.

**Other accessories** : connection, sealing, protection, fixing... (pages 29 to 34).

### FEATURES - INSTALLATION

Operating temperature range : (– 50 °C to + 100 °C) – 58 °F to + 212 °F (500 hours at (125 °C) 257 °F).

Electrical data (page 2).

Quick connection of the plug by a spring-loaded coupling system (1/6 turn).

Receptacles and cable connecting plugs with a contact number not exceeding 12 contacts will also mate with pin insert plugs of the Standard and Weatherproof series.

Mounting contact arrangement and dimensions (pages 3, 4 and 19).

\* **Note** : The No. 4 contact of the receptacle Part No. **5337 600 06** and that of the cable connecting plug Part. No. **5307 530 06**, establishing an electrical liaison before the other three contacts and breaking it after they are uncoupled, can be used for earthing purposes (Specification UTE C 15-100).

(1) I.P. 54. With potting compound into the Shell and gasket under receptacle.

# "RAPID" Series, High Performance

## PIN INSERT RECEPTACLES, SOCKET INSERT PLUGS AND CABLE CONNECTING PLUGS, PIN INSERT

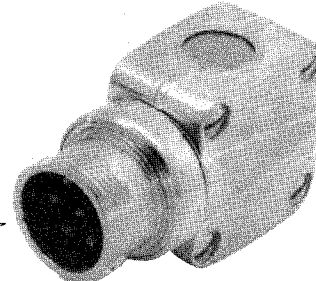
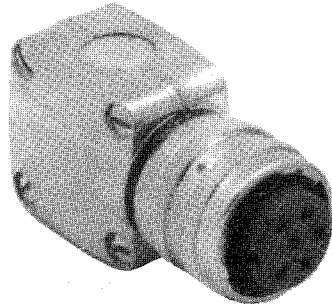
(175 °C) 347 °F

I.P. 50

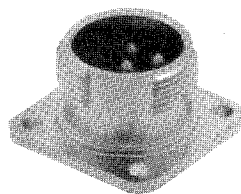
I.P. 54 <sup>(1)</sup>

With GOLD-PLATED CONTACTS

Socket insert plug



Cable connecting plug, pin insert



Pin insert receptacle

**NEW**  
**SECURE CONNECTORS**  
for shell size 1 and 2  
(refer to page 32)

Available with **3-4-6-8-12** or **17 contacts**

### PART NUMBERS

Shell size	Contacts				Pin insert receptacle	Socket insert plug	Cable connecting plug, pin insert	Cable-Clamp** P. 29
	Number	Diameter						
		(Ø 2 mm) .079 dia.	(Ø 3 mm) .118 dia.	(Ø 4 mm) .157 dia.				
1	<b>3</b>	1	2		<b>5363 530 06</b>	<b>5323 530 06</b>	<b>5301 030 06</b>	<b>6301 350 06</b>
1	<b>4</b>	4			<b>5363 540 06</b>	<b>5323 540 06</b>	<b>5301 040 06</b>	<b>6301 350 06</b>
1	<b>6</b>	6			<b>5363 560 06</b>	<b>5323 560 06</b>	<b>5301 060 06</b>	<b>6301 350 06</b>
2	<b>4*</b>			4	<b>5337 550 06</b>	<b>5307 550 06</b>	<b>5307 520 06</b>	<b>6301 380 06</b>
2	<b>8</b>	6	2		<b>5363 580 06</b>	<b>5323 580 06</b>	<b>5301 080 06</b>	<b>6301 380 06</b>
2	<b>12</b>	12			<b>5363 620 06</b>	<b>5323 620 06</b>	<b>5301 120 06</b>	<b>6301 380 06</b>
3	<b>17</b>	15	2		<b>5363 570 06</b>	<b>5323 570 06</b>	<b>5301 070 06</b>	<b>6301 550 00</b>

\*\* Cable-clamp (as required), refer to page 29.

**Other accessories :** connection, sealing, protection, fixing... (pages 29 to 34).

### FEATURES - INSTALLATION

- These plugs, receptacles and cable connecting plugs are interchangeable with "RAPID" type connectors of (100 °C) 212 °F operating temperature (125 °C) 257 °F, their overall dimensions are identical. The sealing and insulating constituents are different, the basic insulating material consists of a high performance thermosetting plastic (blue DIALYL-PHTHALATE).

- **Operating temperature range : (- 50 °C to + 175 °C) - 58 °F to + 347 °F (500 hours at (200 °C) 392 °F).**

- Mounting and contact arrangement (pages 3, 4).

- Overall dimensions (page 19).

\* **Note :** The No. 4 contact of the plug Part No. **5307 550 06**, establishing an electrical liaison before the three other contacts and breaking it after they are uncoupled, can be used for earthing purposes (Specification UTE C 15-100).

### ELECTRICAL DATA

- Insulation resistance

more than 10<sup>7</sup> MΩ at (20 °C) 68 °F\*\*\* ; more than 10<sup>4</sup> MΩ at (150 °C) 302 °F ;  
more than 10<sup>5</sup> MΩ at (100 °C) 212 °F ; more than 10<sup>2</sup> MΩ at (200 °C) 392 °F ;

- Flashover voltage, between one of the contacts nearest the shell and all other contacts connected to earth, is still situated between 1,000 and 1,500 volts at (200 °C) 392 °F under normal atmospheric pressure (according to Specification AIR 0520).

\*\*\* **Note :** Under standard conditions of pressure and humidity (according to Specification NF.C 20-700) (International Specification : CEI 68-1).

(1) I.P. 54. With potting compound into the Shell and gasket under receptacle.

# "RAPID" Series, High Performance

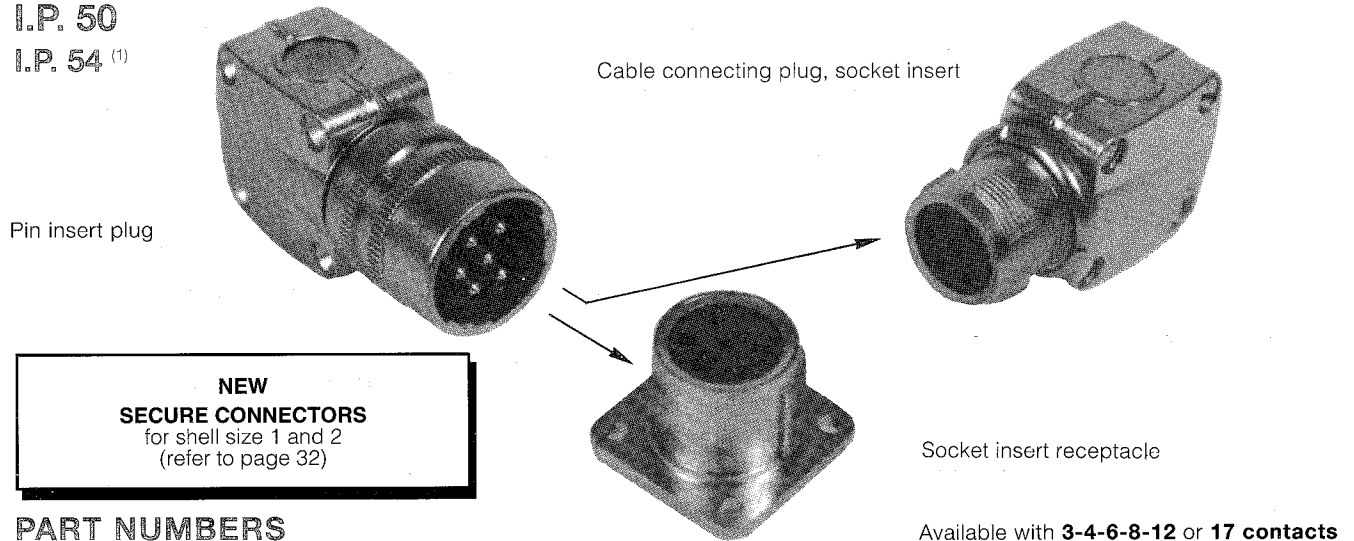
## SOCKET INSERT RECEPTACLES, PIN INSERT PLUGS AND CABLE CONNECTING PLUGS, SOCKET INSERT

(175 °C) 347 °F

I.P. 50

I.P. 54 <sup>(1)</sup>

With GOLD-PLATED CONTACTS



### PART NUMBERS

Shell size	Contacts			Socket insert receptacle	Pin insert plug	Cable connecting plug, socket insert	Cable-Clamp** P. 29	
	Number	Diameter						
		(Ø 2 mm) .079 dia.	(Ø 3 mm) .118 dia.					(Ø 4 mm) .157 dia.
1	<b>3</b>	1	2		<b>5368 530 06</b>	<b>5328 530 06</b>	<b>5301 830 06</b>	<b>6301 350 06</b>
1	<b>4</b>	4			<b>5368 540 06</b>	<b>5328 540 06</b>	<b>5301 840 06</b>	<b>6301 350 06</b>
1	<b>6</b>	6			<b>5368 560 06</b>	<b>5328 560 06</b>	<b>5301 860 06</b>	<b>6301 350 06</b>
2	<b>4*</b>			4	<b>5337 600 06</b>	<b>5307 540 06</b>	<b>5307 530 06</b>	<b>6301 380 06</b>
2	<b>8</b>	6	2		<b>5368 580 06</b>	<b>5328 580 06</b>	<b>5301 880 06</b>	<b>6301 380 06</b>
2	<b>12</b>	12			<b>5368 620 06</b>	<b>5328 620 06</b>	<b>5301 920 06</b>	<b>6301 380 06</b>
3	<b>17</b>	15	2		<b>5368 570 06</b>	<b>5328 570 06</b>	<b>5301 870 06</b>	<b>6301 550 06</b>

\*\* Cable-clamp (as required), refer to page 29.

**Other accessories :** connection, sealing, protection, fixing... (pages 29 to 34).

### FEATURES - INSTALLATION

- These plugs, receptacles and cable connecting plugs are interchangeable with "RAPID" type connectors of (100 °C) 212 °F operating temperature (125 °C) 257 °F, their overall dimensions are identical. The sealing and insulating constituents are different, the basic insulating material consists of a high performance thermosetting plastic (blue DIALLYL-PHTALATE).
- **Operating temperature range : (- 50 °C to + 175 °C) - 58 °F to + 347 °F (500 hours at (200 °C) 392 °F).**
- Mounting and contact arrangement (pages 3 and 4).
- Overall dimensions (page 19).

\* **Note :** The No. 4 contact of the receptacle Part No. **5337 600 06** and that of the cable connecting plug Par No. **5307 530 06**, establishing an electrical liaison before the three other contacts and breaking it after they are uncoupled, can be used for earthing purposes (Specification UTE C 15-100).

### ELECTRICAL DATA

- Insulation resistance  
more than 10<sup>7</sup> MΩ at (20 °C) 68 °F\*\*\* ; more than 10<sup>4</sup> MΩ at (150 °C) 302 °F ;  
more than 10<sup>5</sup> MΩ at (100 °C) 212 °F ; more than 10<sup>2</sup> MΩ at (200 °C) 392 °F ;
- Flashover voltage, between one of the contacts nearest the shell and all other contacts connected to earth, is still situated between 1,000 and 1,500 volts at (200 °C) 392 °F under normal atmospheric pressure (according to Specification AIR 0520).

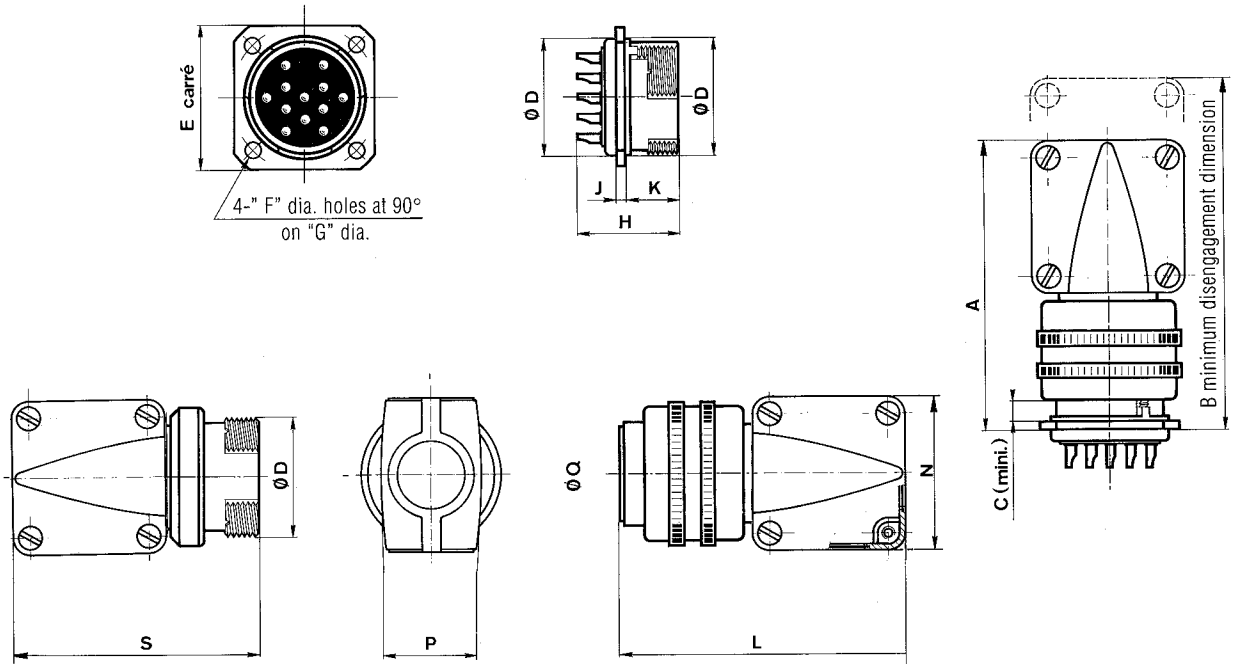
\*\*\* **Note :** Under standard conditions of pressure and humidity (according to Specification NF.C 20-700) (International Specification : CEI 68-1).

(1) I.P. 54. With potting compound into the Shell and gasket under receptacle.

# DIMENSIONS

Receptacle

Mated Assembly  
Plug-socket



Cable connecting plug

Plug

Shell size	Number of contact	Dimensions : (mm) in.													
		Mated assembly			Pin insert receptacle								Socket insert plug. Cable connecting plug, pin insert		
		A	B	C	D	E	F	G	H	J	K	L	N	P	S
1	3-4-6	(62) 2.44	(73) 2.87	(4) .157	(21) .83	(27) 1.06	(3,2) .126	(28) 1.10	(25,3) .99	(2) .079	(12,5) .49	(57) 2.24	(31) 1.22	(20) .79	(51) 2.01
2	4	(67) 2.64	(79) 3.11	(4) .157	(27) 1.06	(32) 1.26	(3,2) .126	(34) 1.34	(30) 1.18	(2) .079	(12,5) .49	(63) 2.48	(35) 1.38	(23) .90	(55) 2.16
2	8-12	(67) 2.64	(79) 3.11	(4) .157	(27) 1.06	(32) 1.26	(3,2) .126	(34) 1.34	(23,5) .92	(2) .079	(12,5) .49	(63) 2.48	(35) 1.38	(23) .90	(55) 2.16
3	17	(67) 2.64	(78) 3.07	(4) .157	(39) 1.54	(43) 1.69	(4,2) .169	(48) 1.89	(22,5) .88	(2) .079	(12,5) .49	(65) 2.56	(46) 1.81	(30) 1.18	(61) 2.40

Shell size	Number of contact	Dimensions : (mm) in.													
		Mated assembly			Socket insert receptacle								Pin insert plug. Cable connecting plug, socket insert		
		A	B	C	D	E	F	G	H	J	K	L	N	P	S
1	3-4-6	(65) 2.56	(76) 2.99	(4) .157	(21) .83	(27) 1.06	(3,2) .126	(28) 1.10		(2) .079	(16) .63	(57) 2.24	(31) 1.22	(20) .79	(51) 2.01
2	4	(72) 2.83	(82) 3.23	(4) .157	(27) 1.06	(32) 1.26	(3,2) .126	(34) 1.34		(2) .079	(16) .63	(63) 2.48	(35) 1.38	(23) .90	(55) 2.16
2	8-12	(72) 2.83	(82) 3.23	(4) .157	(27) 1.06	(32) 1.26	(3,2) .126	(34) 1.34		(2) .079	(16) .63	(63) 2.48	(35) 1.38	(23) .90	(55) 2.16
3	17	(67) 2.64	(78) 3.07	(4) .157	(39) 1.54	(43) 1.69	(4,2) .165	(48) 1.89		(2) .079	(12) .47	(63) 2.48	(46) 1.81	(30) 1.18	(62) 2.44