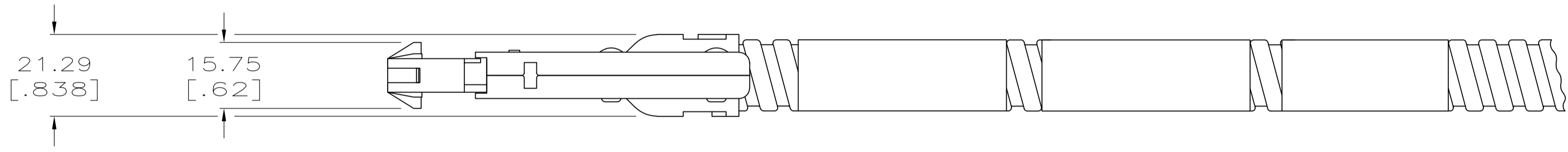
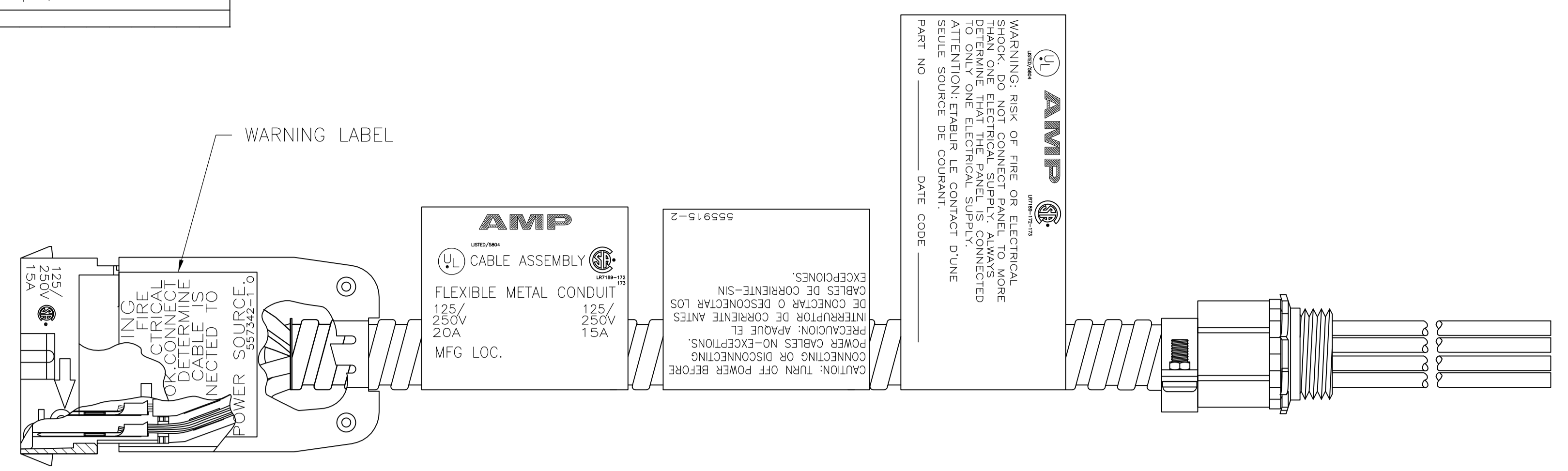
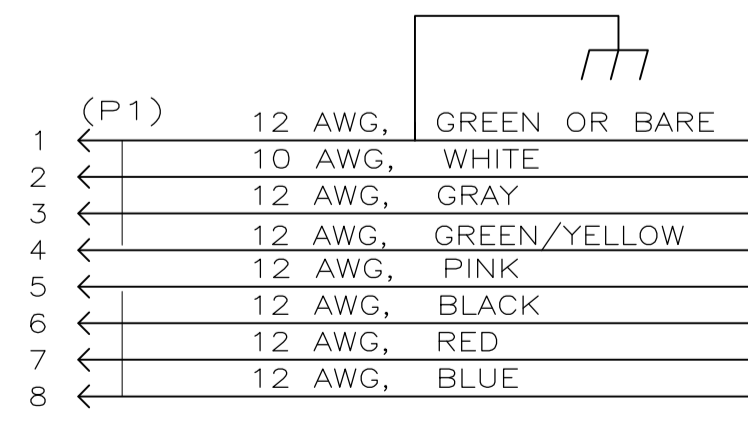
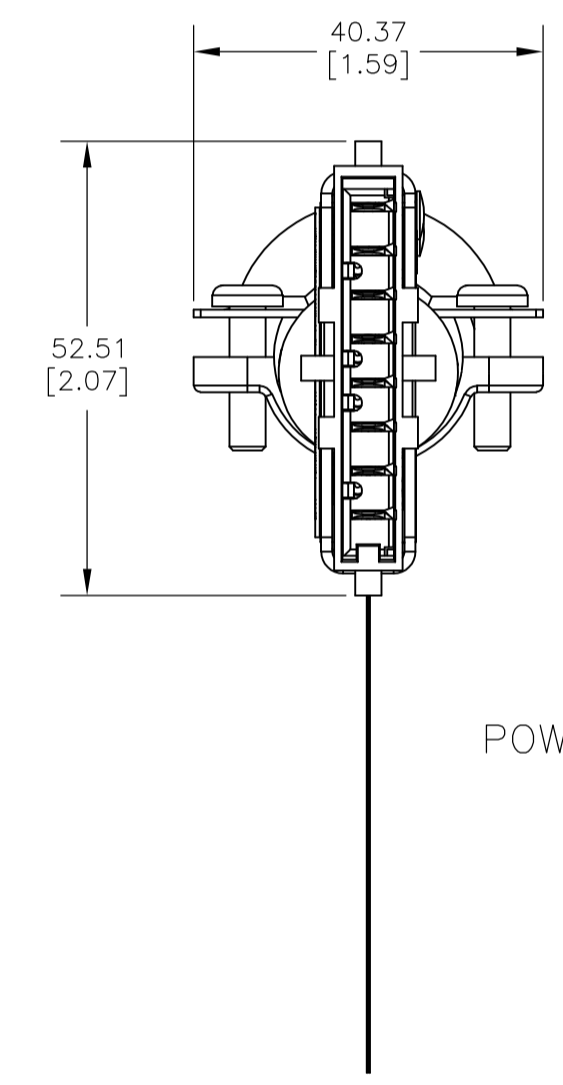
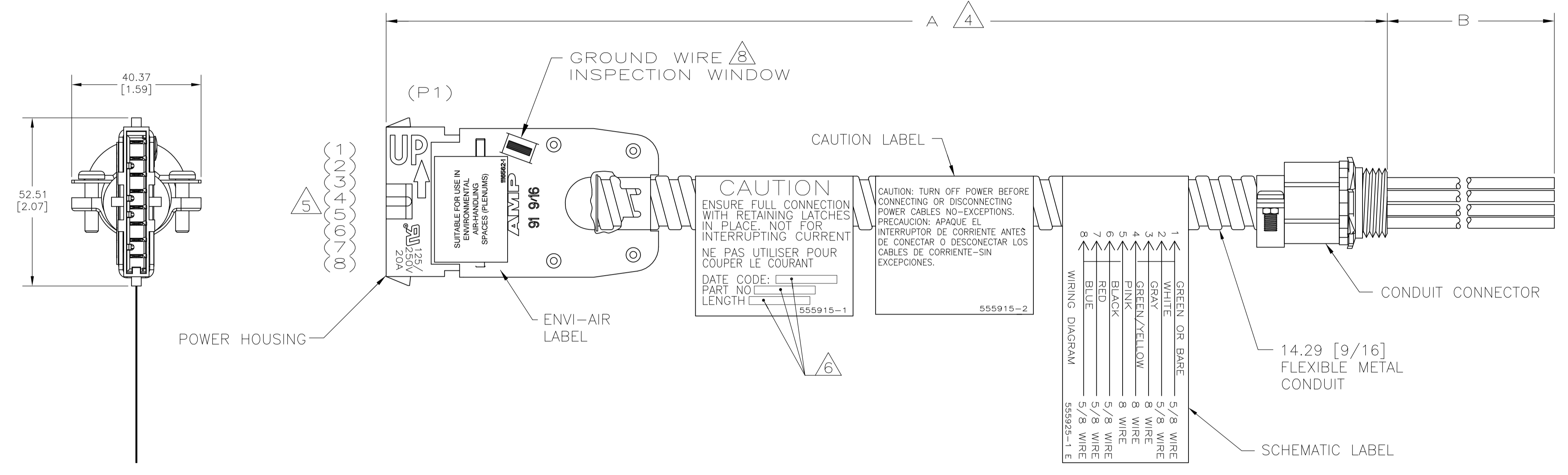


LOC	DIST	REVISIONS					
HM	00	P	TR	DESCRIPTION	DATE	DWN	APPD
		U		REV PER ECO-12-020241	20NOV2012	JM	MS



- ⚠ DIMENSIONS SHOWN ARE MAXIMUM UNLESS OTHERWISE SPECIFIED.
- ⚠ CABLE ASSEMBLY IS WIRED PER WIRING DIAGRAM.
- ⚠ MATERIAL:
CONNECTOR HOUSINGS - POLYCARBONATE, UL 94V-0, RATED, BLACK.
STRAIN RELIEFS - CARBON STEEL WITH NICKEL PLATING 5.08µm [.000200] MINIMUM THICK.
CONTACTS - COPPER ALLOY WITH SILVER PLATED STRIP 3.81µm [.000150] MINIMUM THICK.
- ⚠ DIMENSION A SHALL BE MEASURED WITH CONDUIT IN THE RELAXED POSITION.
- ⚠ DESIGNATIONS IN PARENTHESES () ARE FOR REFERENCE ONLY.
- ⚠ MANUFACTURING LOCATION, DATE CODE, PART NUMBER AND LENGTH SHALL BE INK STAMPED WHERE INDICATED.
- 7. APPLICATION: AMPINERGY™ MODULAR POWER DISTRIBUTION SYSTEM, A MANUFACTURED WIRING SYSTEM.
- ⚠ USE GROUND WIRE INSPECTION WINDOW TO VERIFY BONDING AND GROUNDING CONDUCTOR.



WIRING DIAGRAM 8 WIRE

M	B [FEET]	PART NUMBER	M	A [FEET]
.305	[1.00]	1-555856-2	15.24	[50.00]
.305	[1.00]	2-555856-0	12.19	[40.00]
.305	[1.00]	1-555856-9	9.14	[30.00]
.305	[1.00]	555856-7	7.62	[25.00]
.305	[1.00]	1-555856-6	6.10	[20.00]
.305	[1.00]	1-555856-3	4.57	[15.00]
.305	[1.00]	1-555856-4	3.05	[10.00]
.305	[1.00]	555856-8	1.52	[5.00]
.305	[1.00]	555856-3	1.22	[4.00]
.305	[1.00]	555856-2	0.91	[3.00]
.305	[1.00]	555856-1	0.61	[2.00]

THIS DRAWING IS A CONTROLLED DOCUMENT.

APPROVED: J.B. WILKERSON

DATE: 3-1-90

PRODUCT SPEC

APPLICATION SPEC

FINISH

SCALE: 1.5:1

SHEET 1 OF 1

REV U

Tyco Electronics Corporation
Harrisburg, PA 17105-3608

CABLE ASSEMBLY, POWER ENTRY, 8 WIRE

SIZE: A1

CAGE CODE: 00779

DRAWING NO: C=555856

RESTRICTED TO: -